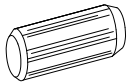



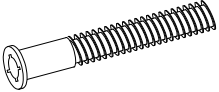


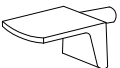
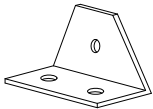
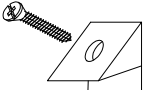



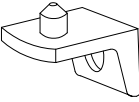
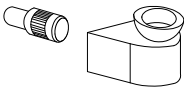



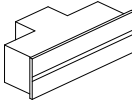
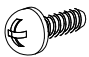
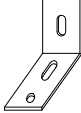
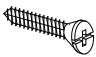

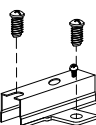

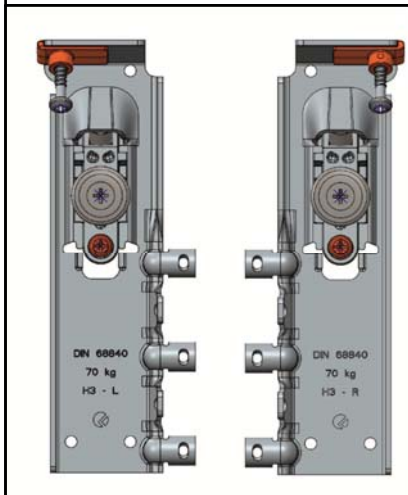


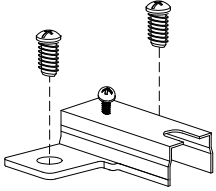
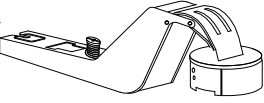
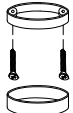
B	 8x30 mm.	x36	L3520	 3,5x20 mm.	x4	P1	 1 mm.	x2
C	 ø15 mm.	x12	V760	 7x60 mm.	x24	P3	 3 mm.	x8
D		x12	R		x8	P7		x35
F		x56	M9	 6x9 mm.	x12	AT		x3
L418	 4x18 mm.	x105	R2		x12	R1		x8
L4560	 4.5x60 mm.	x6	P20	 Ø 20 mm.	x14			



P14		x1
PT		x1
L410	 4x10 mm.	x1

PST		x2
L418	 4x18 mm.	x4

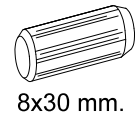
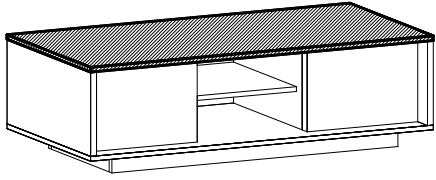
L415	 4x15 mm.	x20
H6E		x10
C15		x10



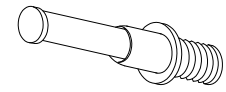
N1		x2
CV		x2
		x2

TA		x2
ST		x1

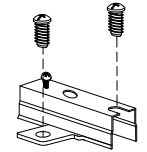
1



8x30 mm.
B x16



D x8



H6E x4

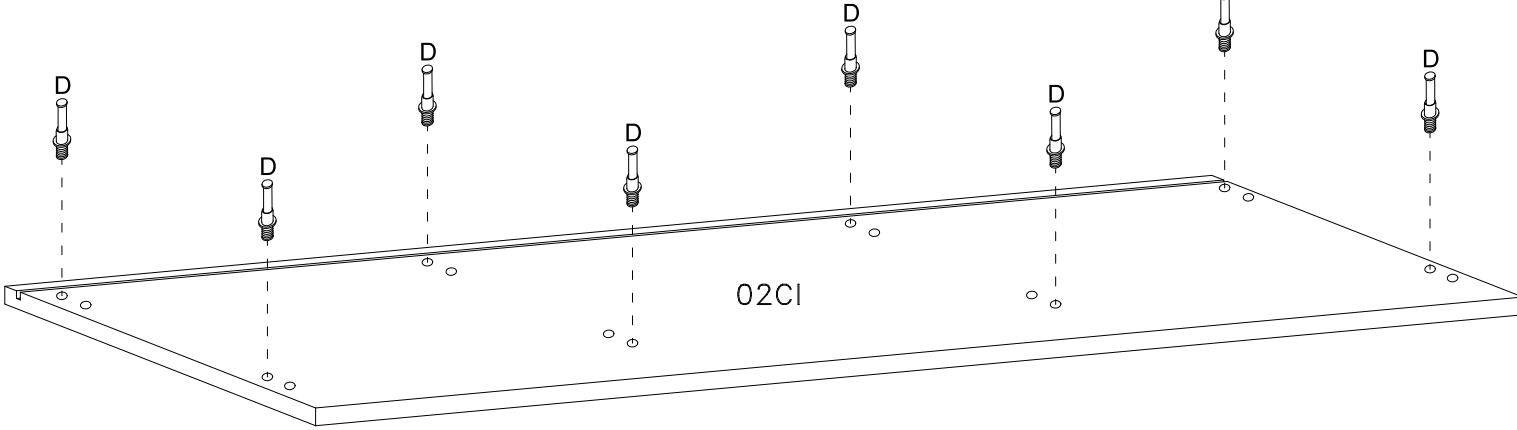
M9



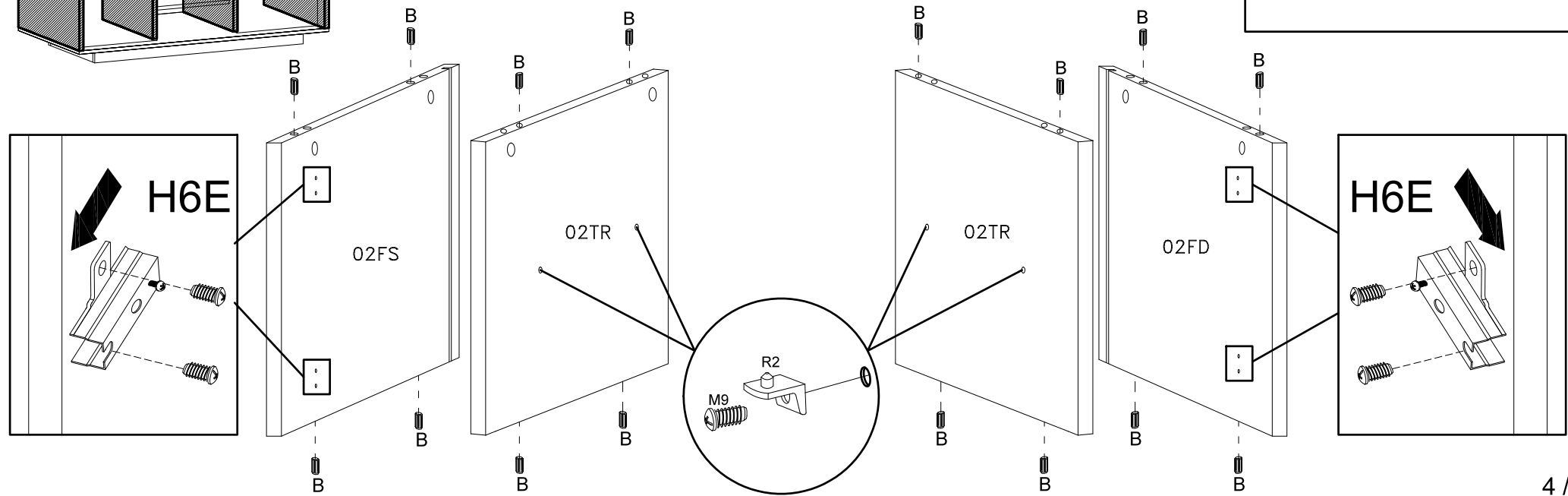
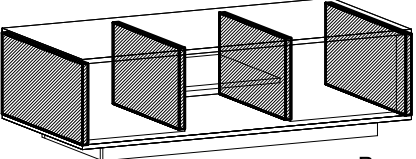
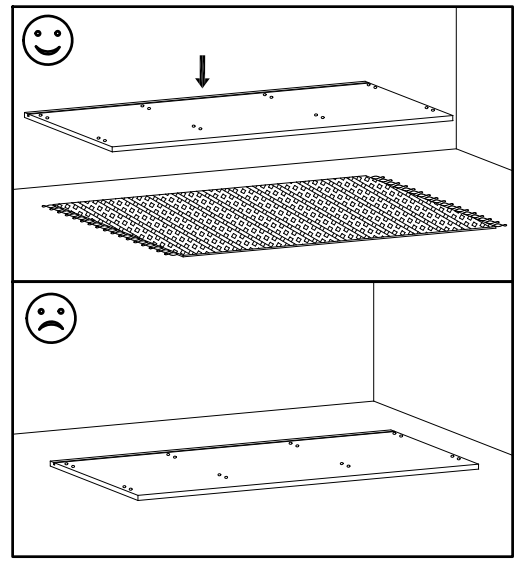
6x9 mm.

x4

x4



02CI



H6E

02FS

02TR

02TR

02FD

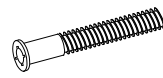
H6E

M9

R2

2

E



7x60 mm.

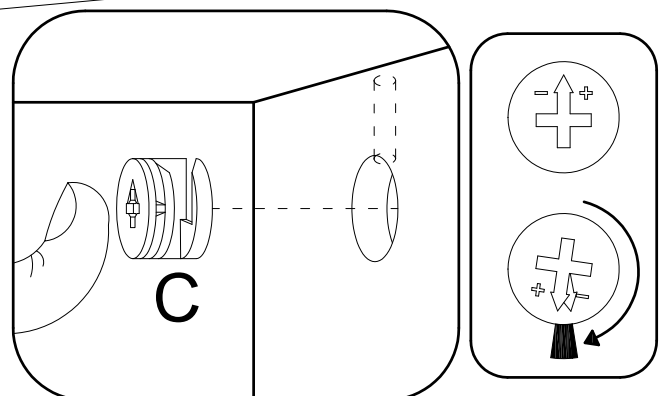
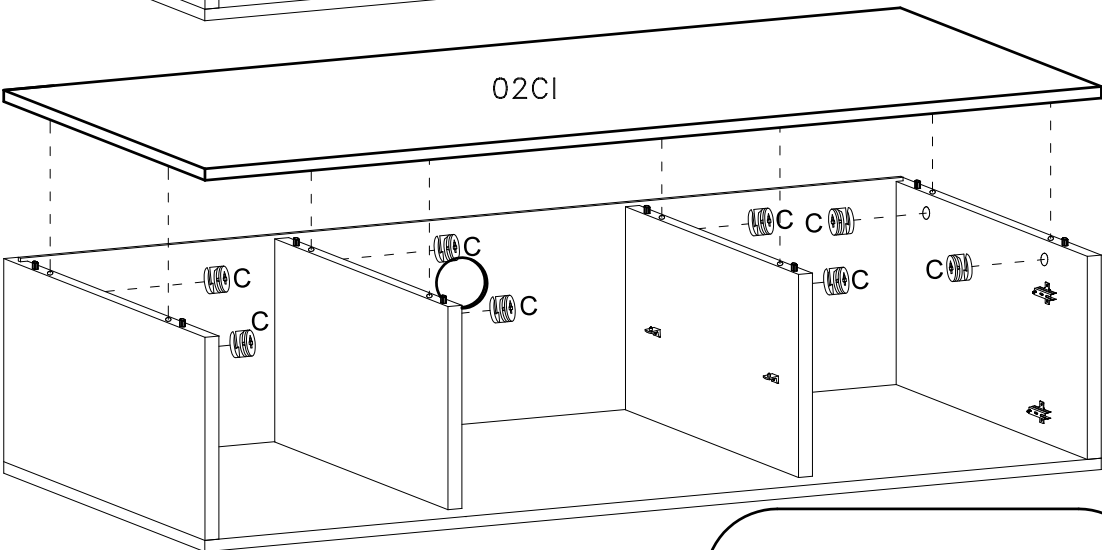
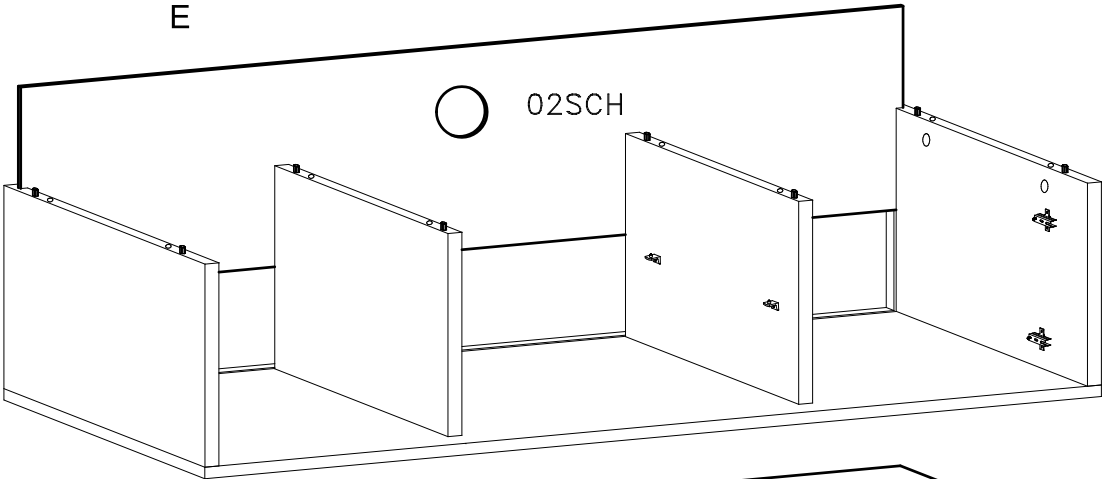
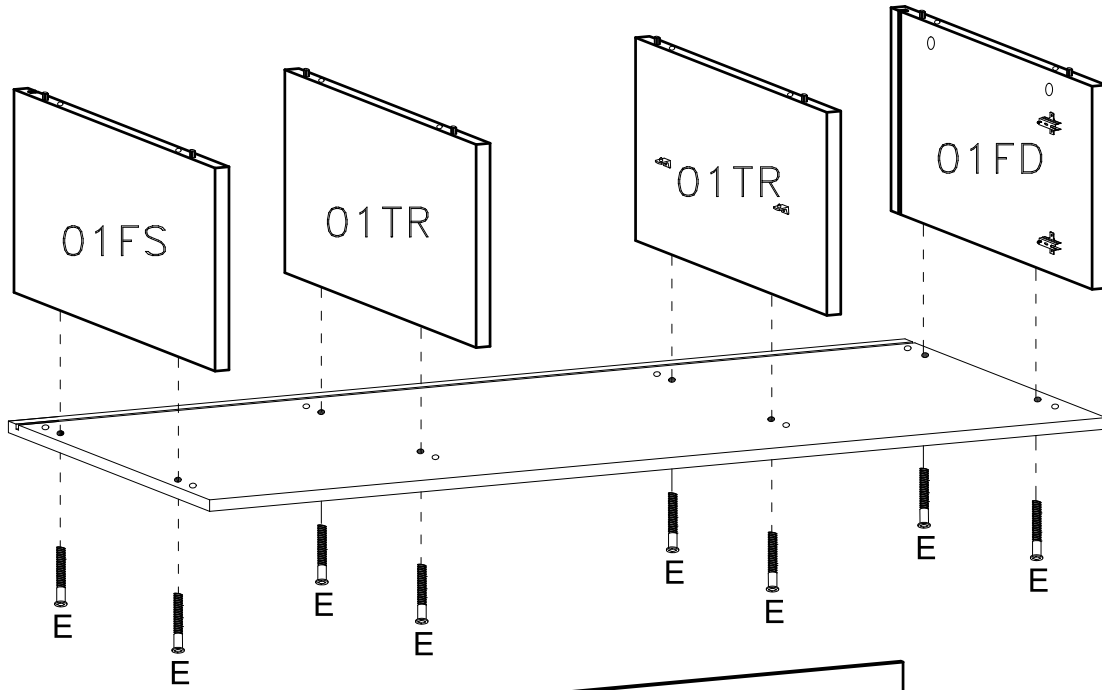
C



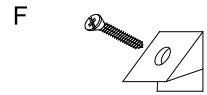
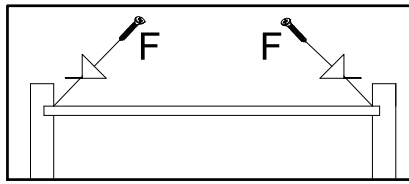
ø15 mm

x8

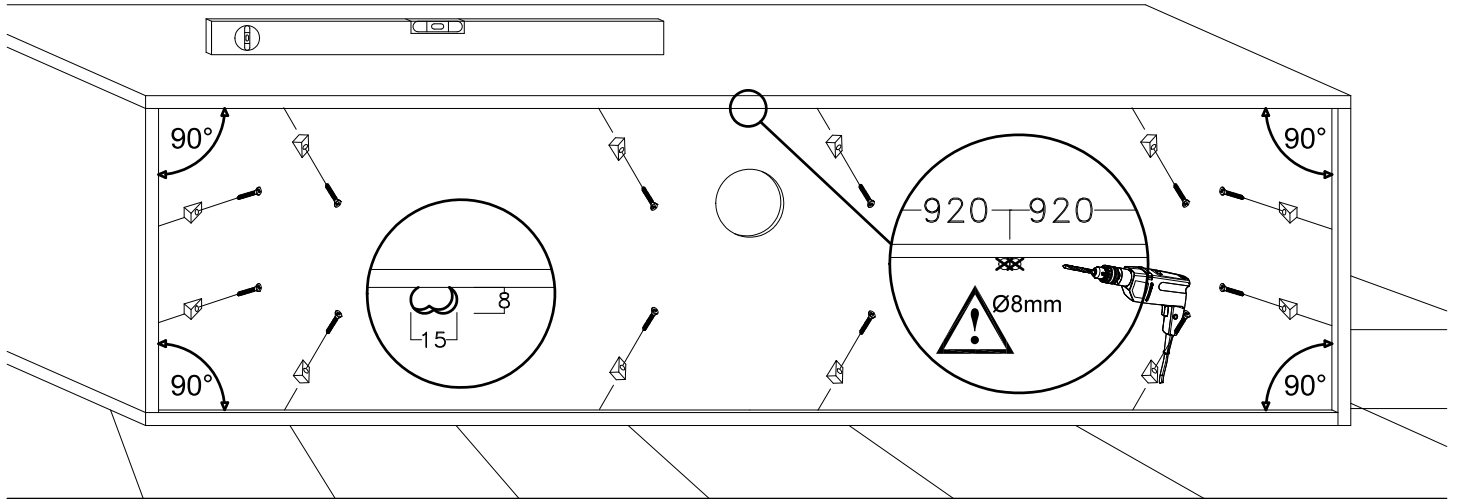
x8



3

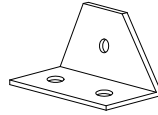


x12



4

P7

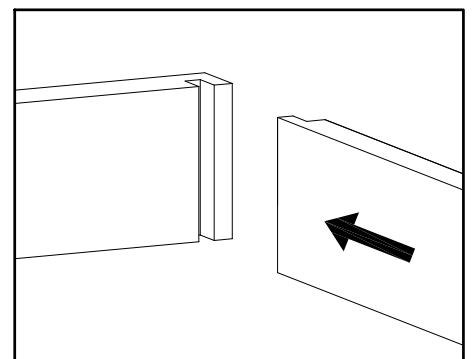
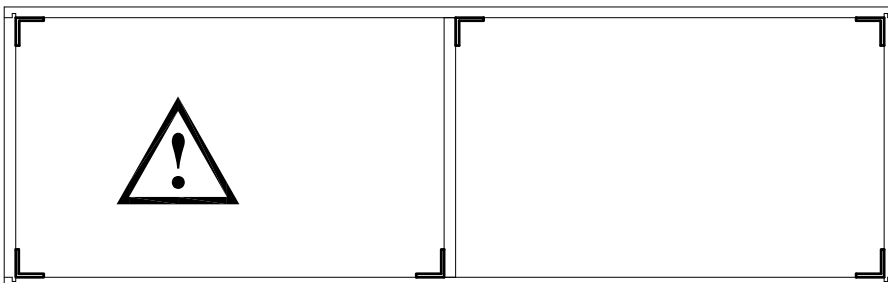
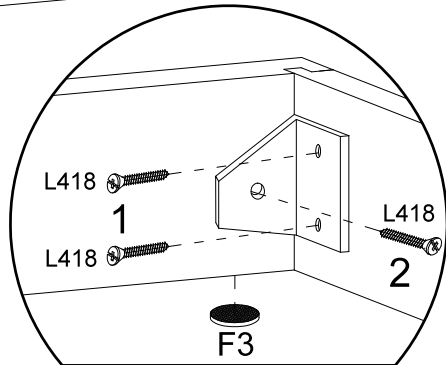
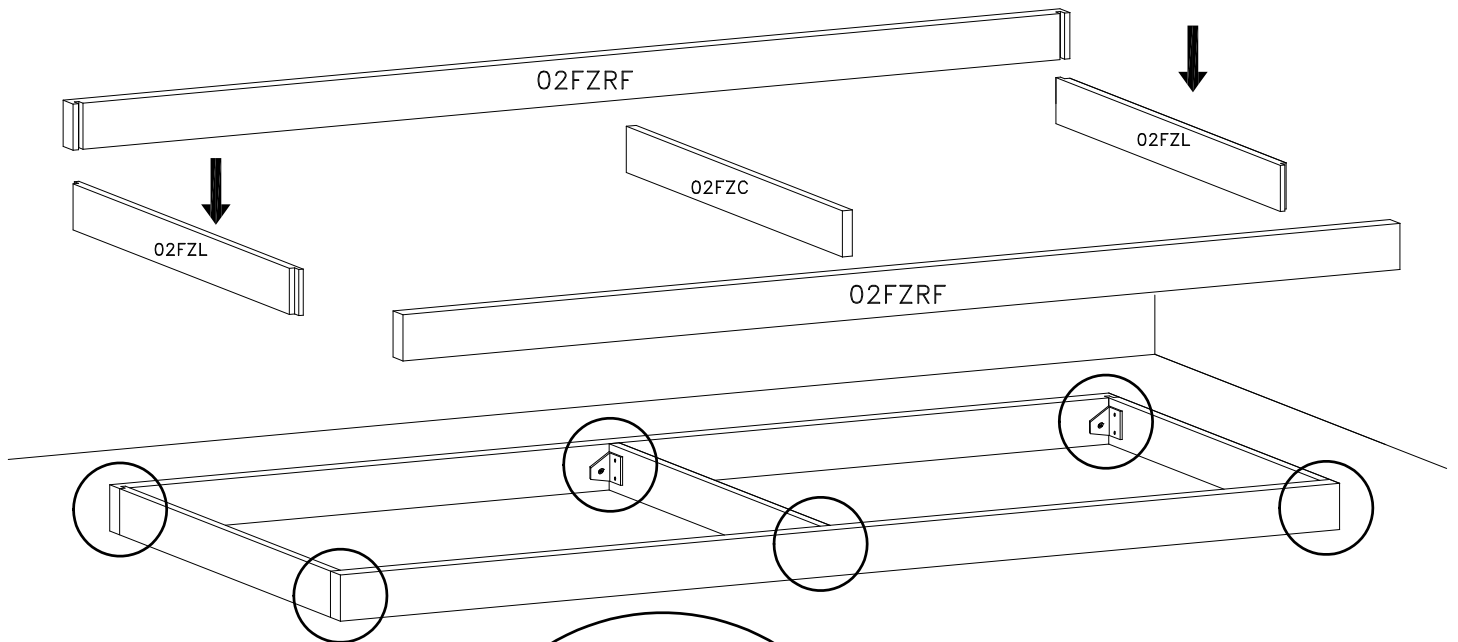


L418

x6

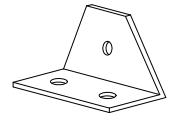


x18



5

P7



x6

L418



4x18 mm.

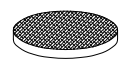
x18

60 mm.

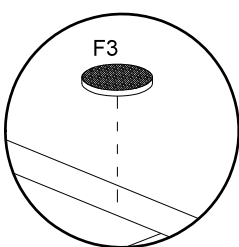
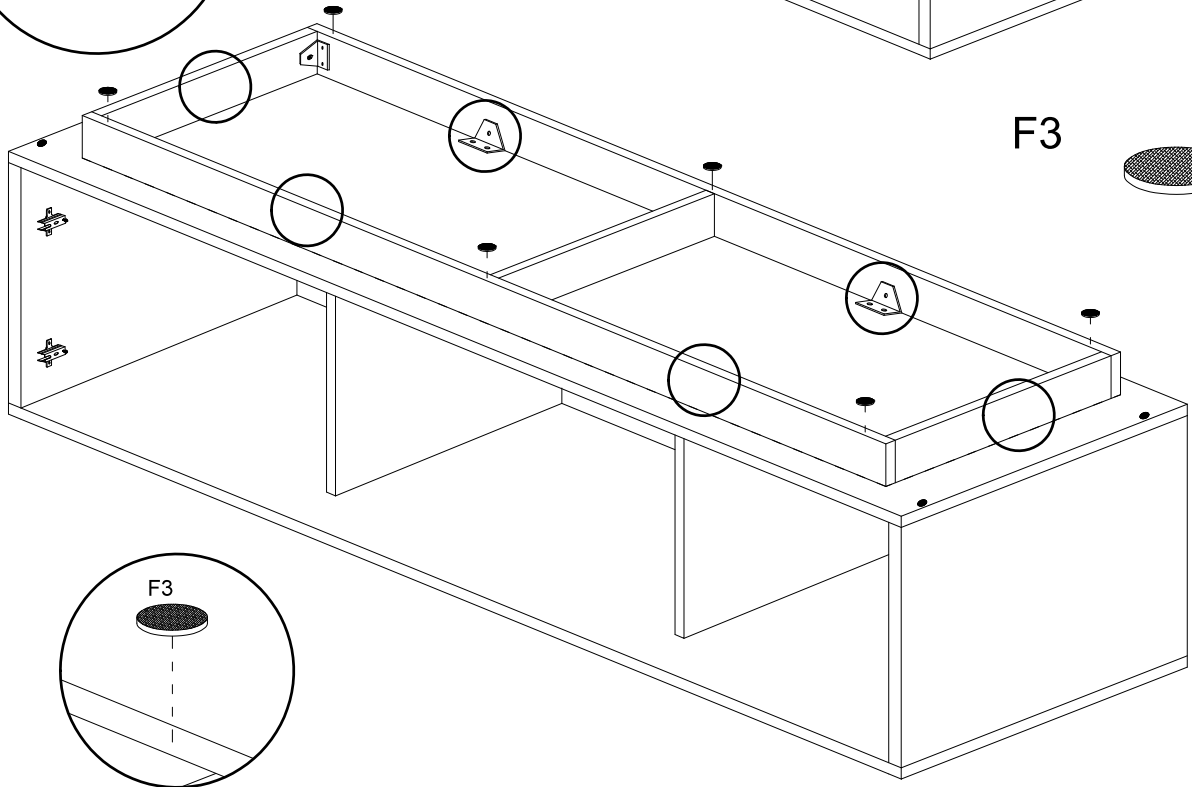
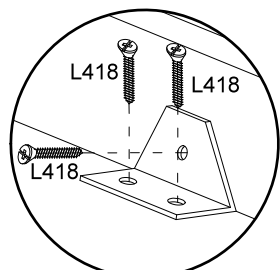
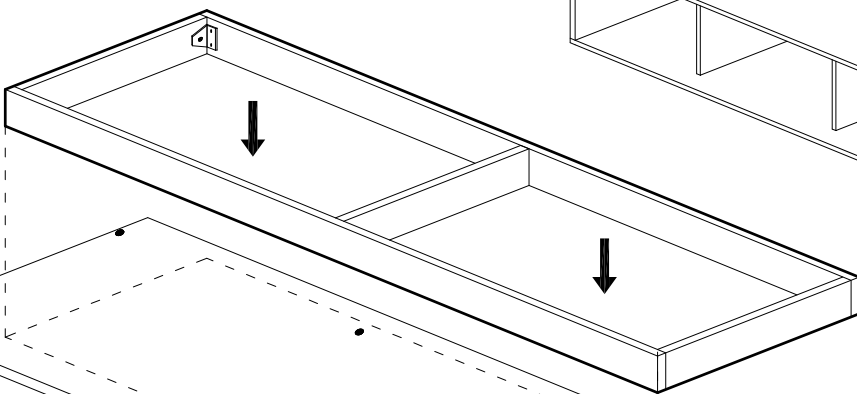
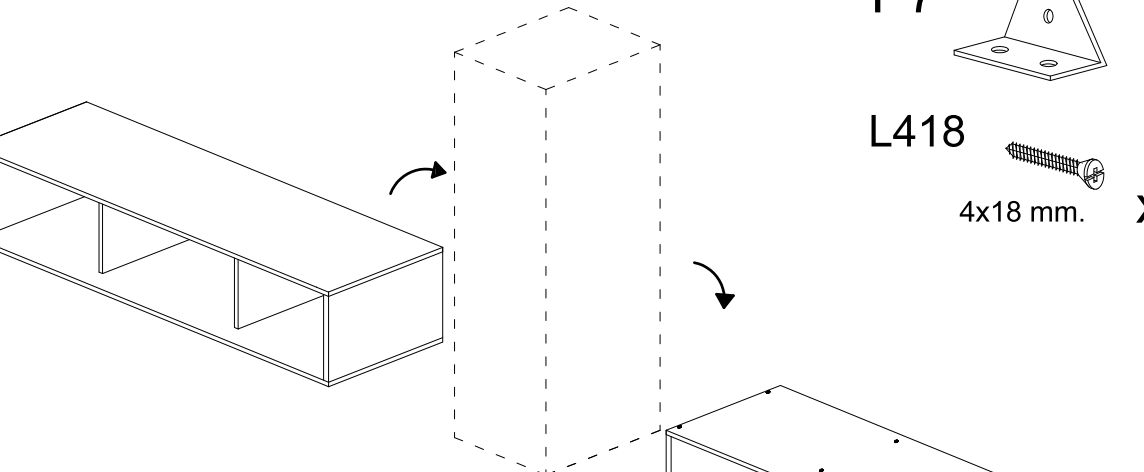
15 mm.

60 mm.

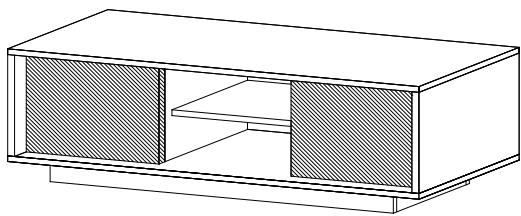
F3



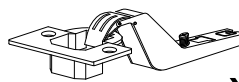
x6



6



C15



26 mm. P3

x4



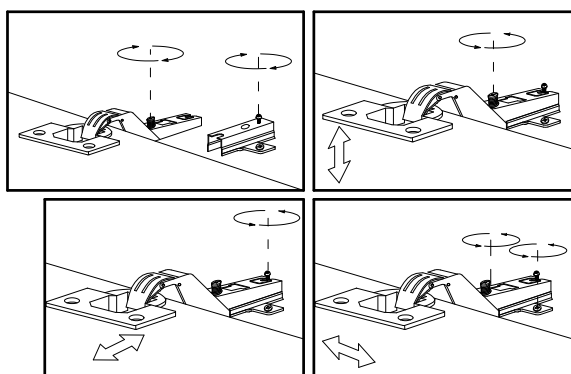
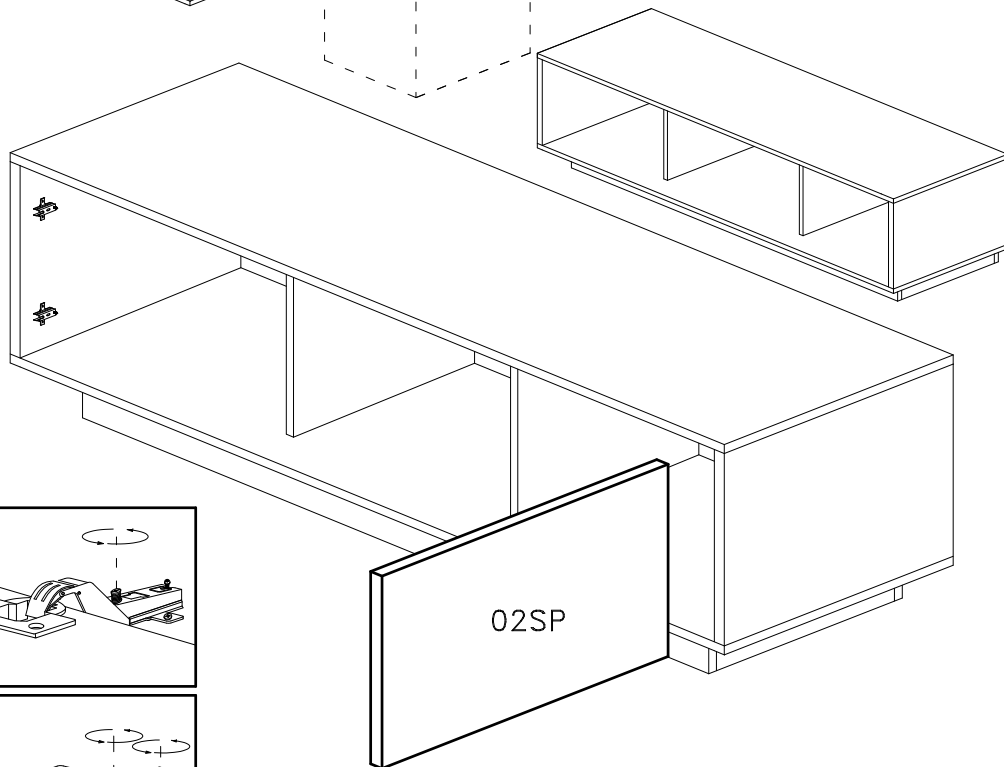
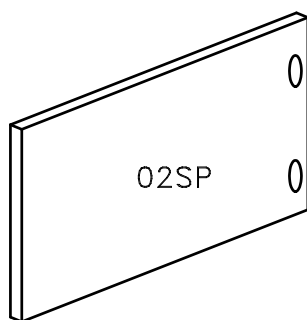
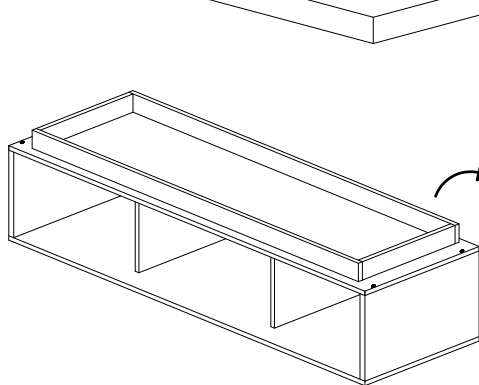
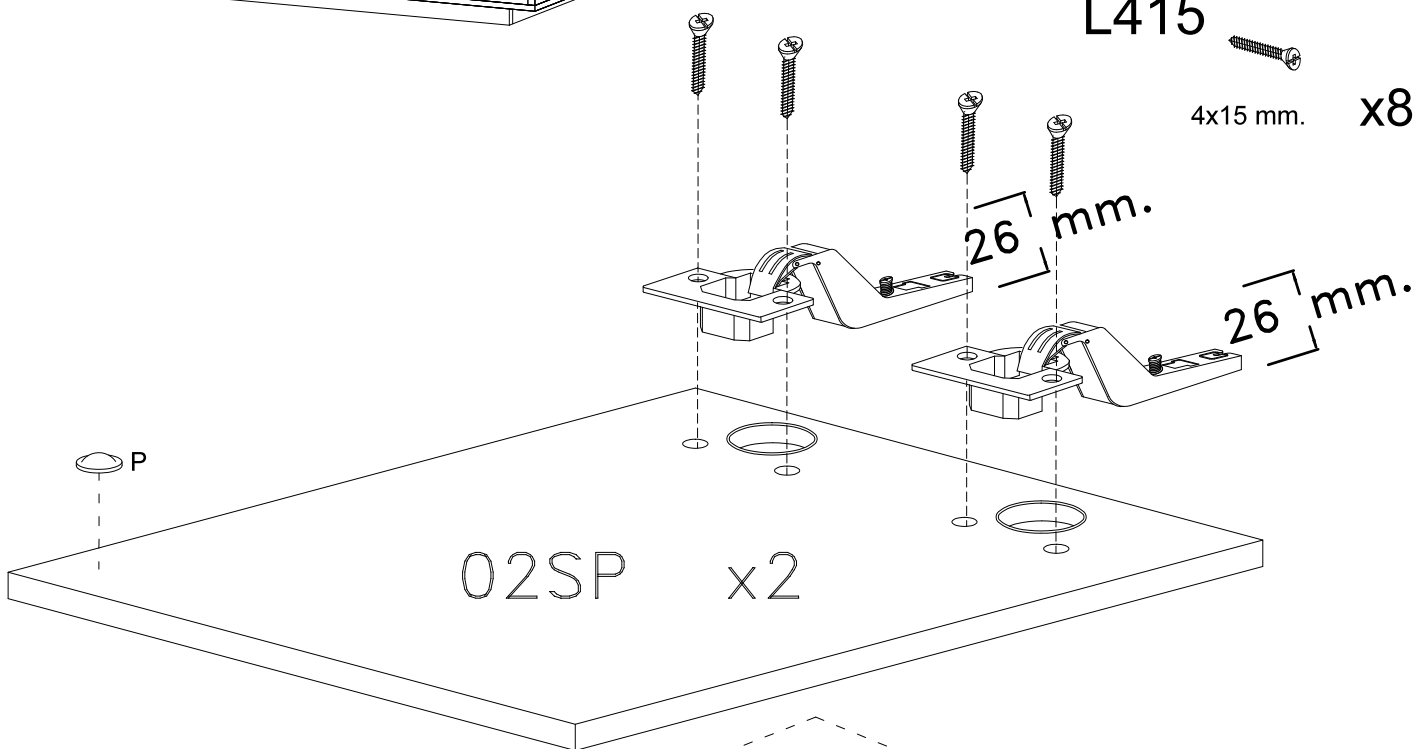
x2

L415

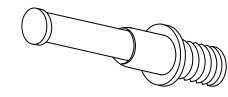
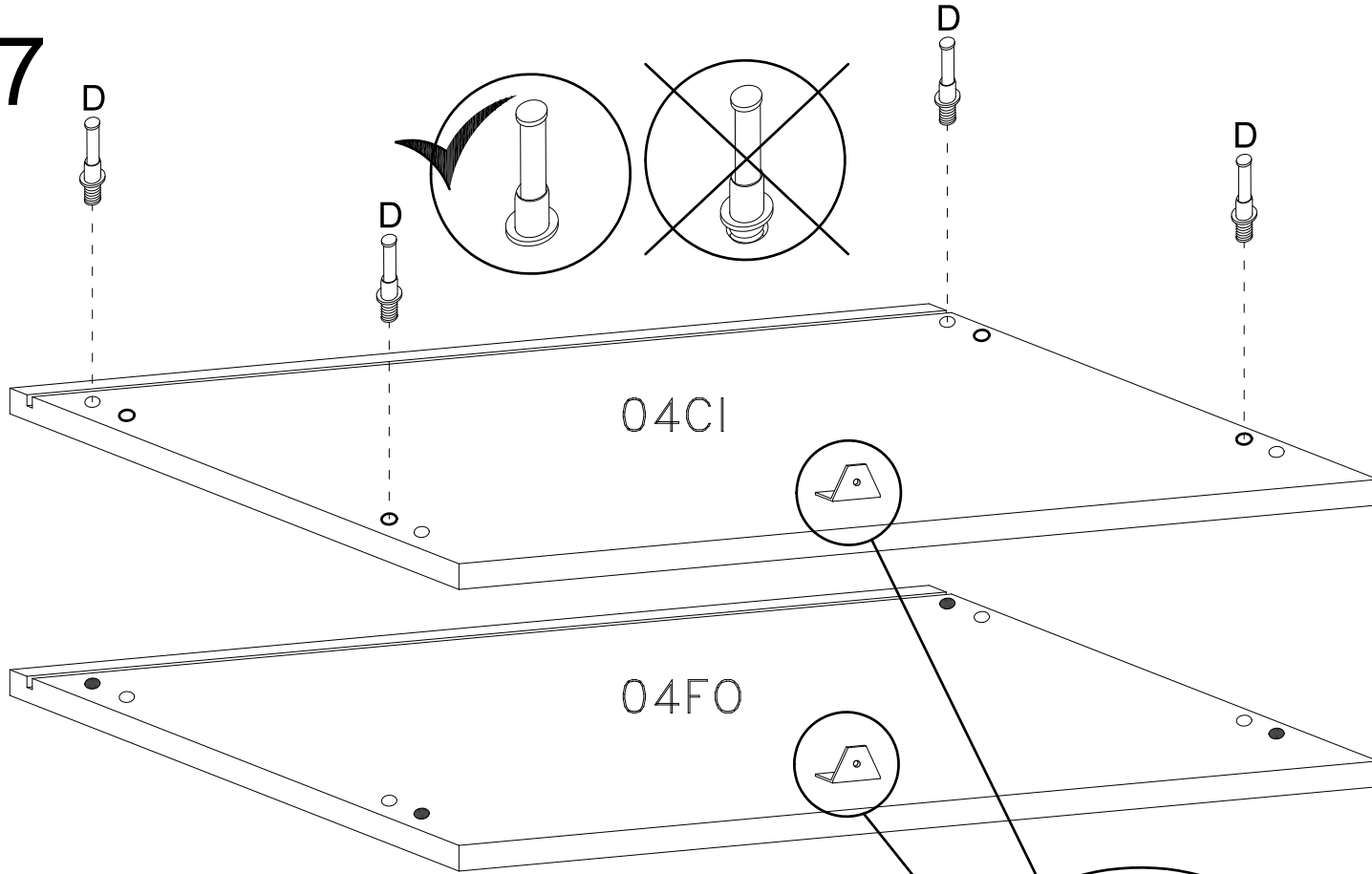


4x15 mm.

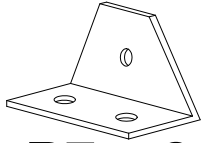
x8



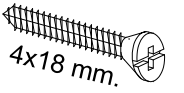
7



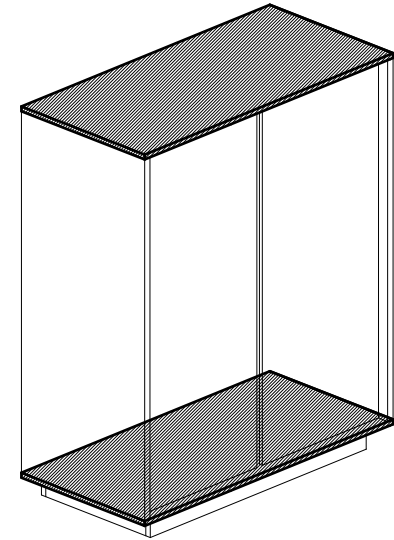
D x4



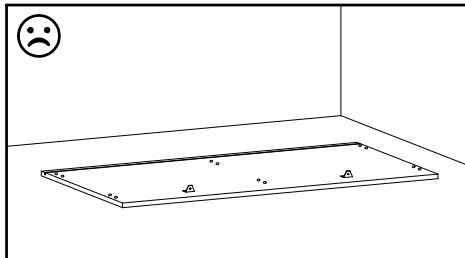
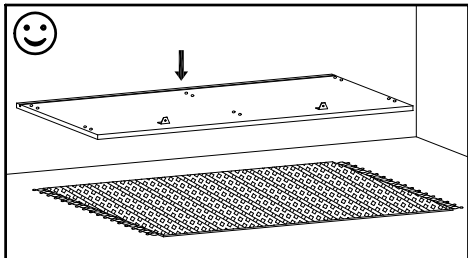
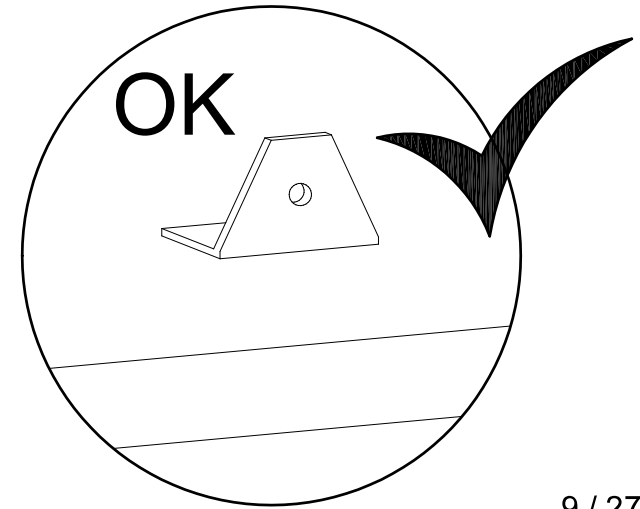
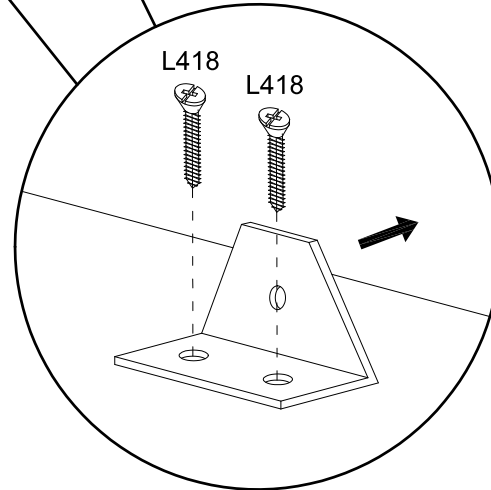
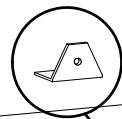
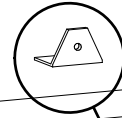
P7 x2



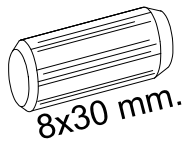
4x18 mm.



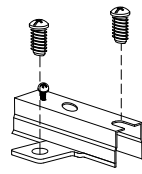
L418 x4



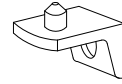
8



B x8



H6E x4

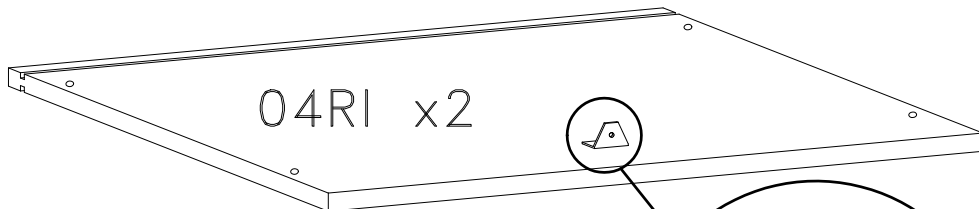
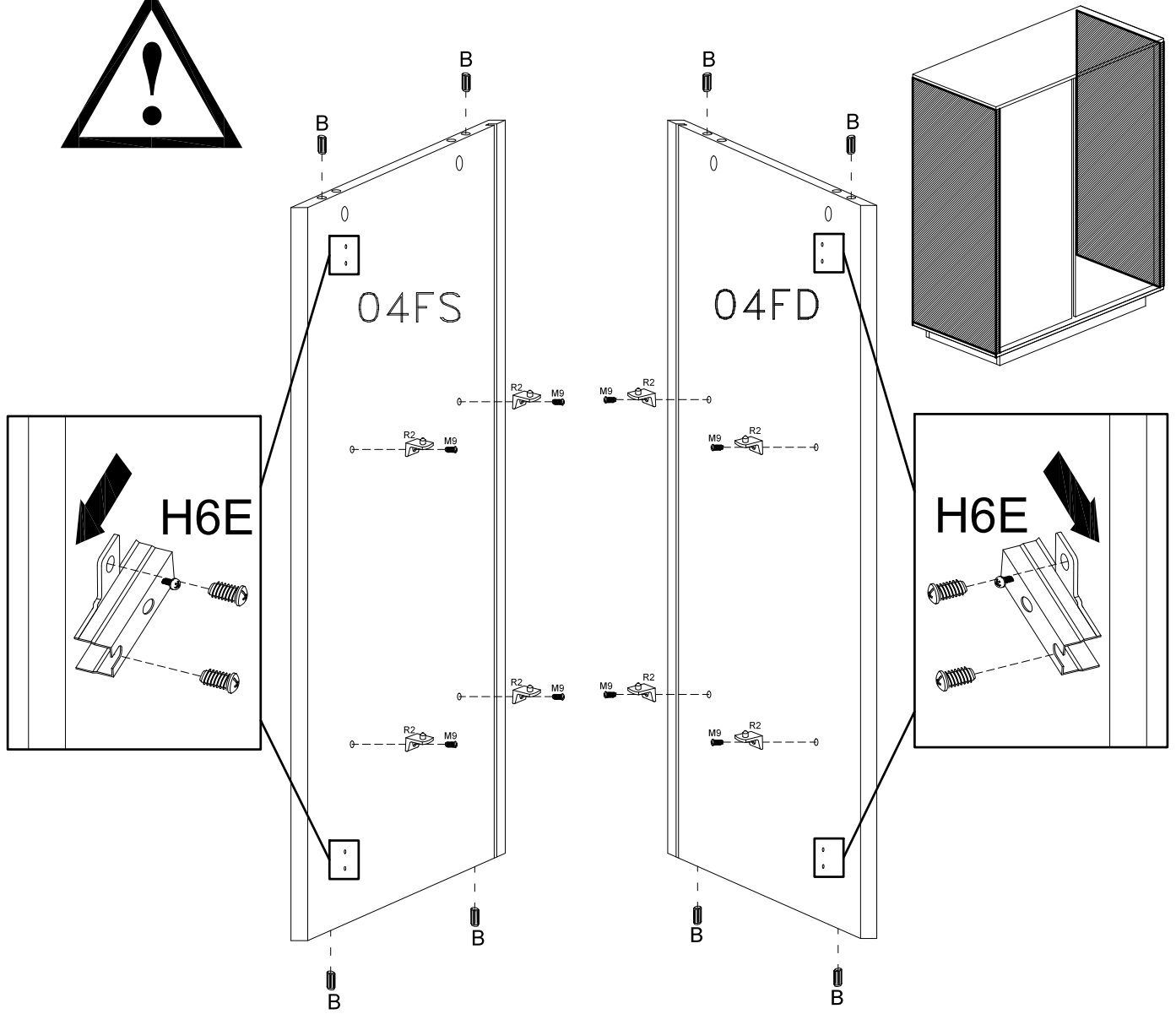


R2 x8

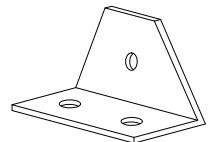


6x9 mm.

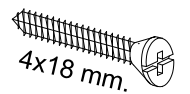
M9 x8



04RI x2

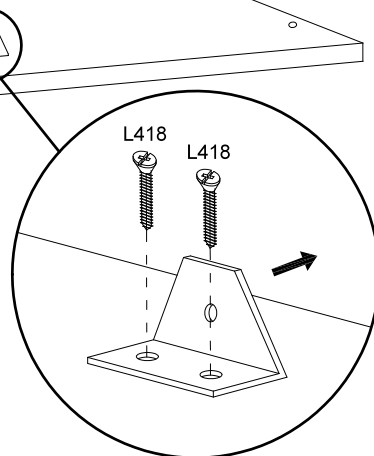


P7 x2

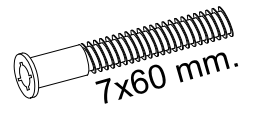
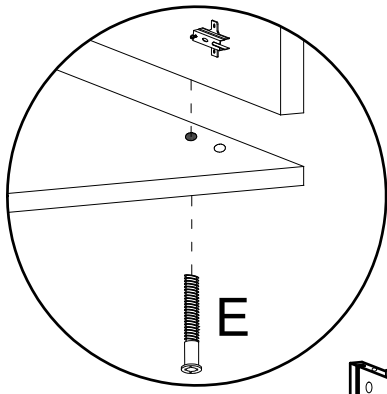


4x18 mm.

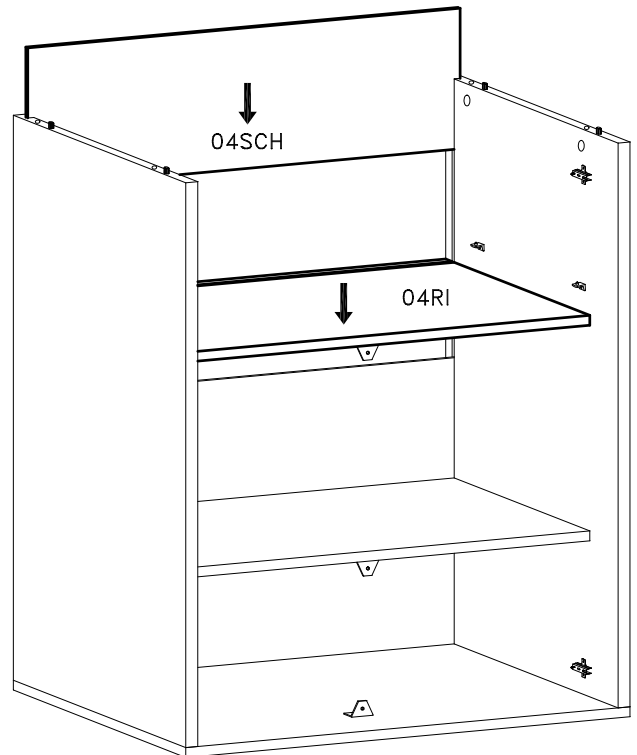
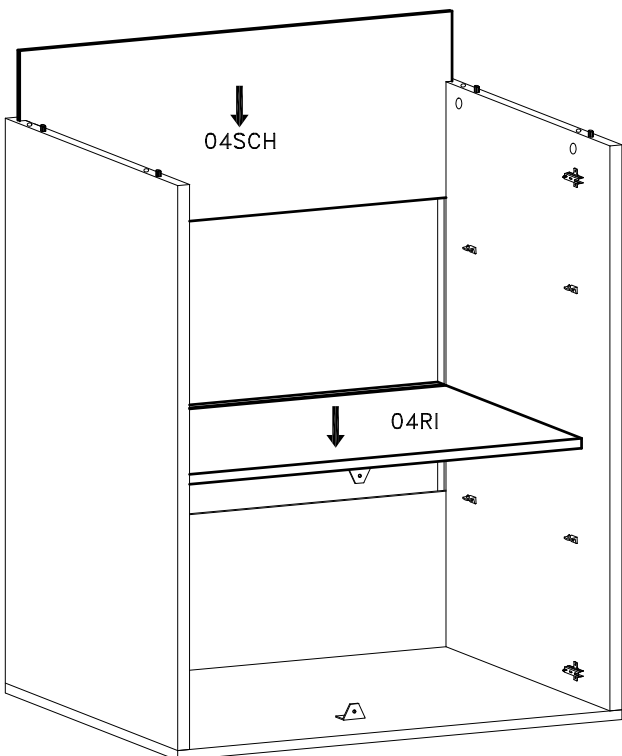
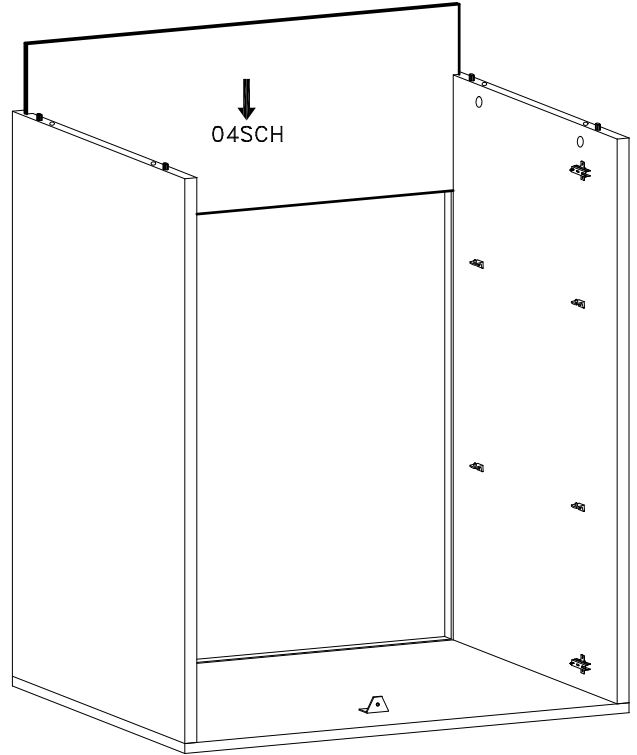
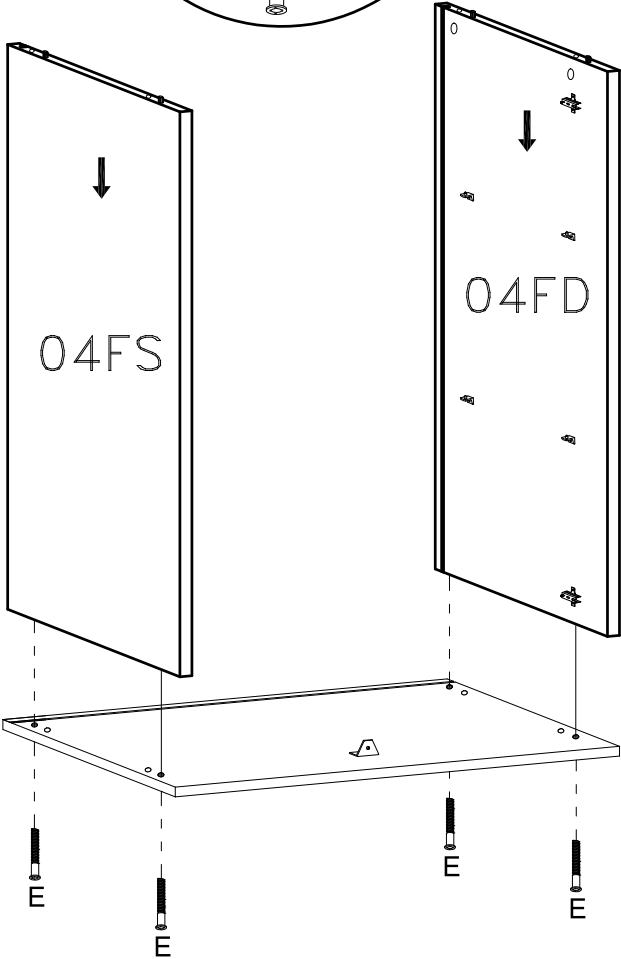
L418 x4



9

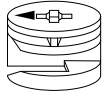


E x4



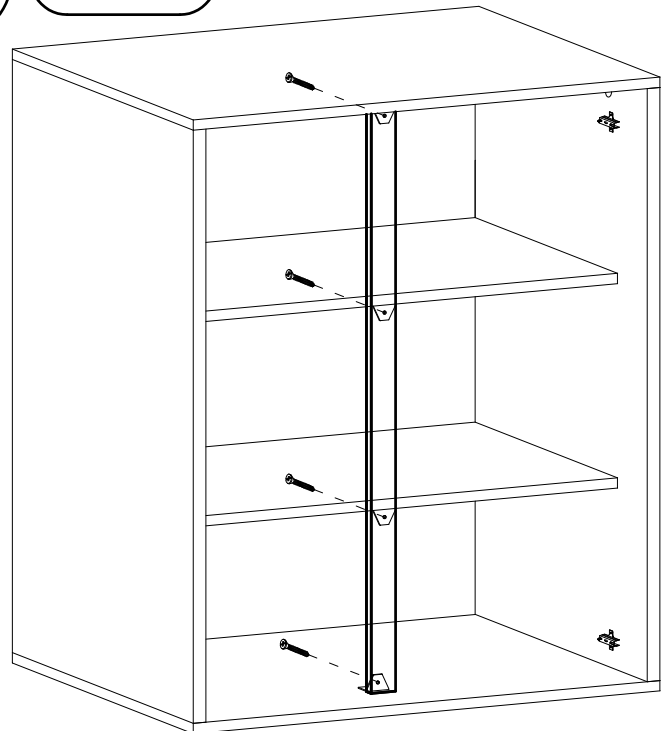
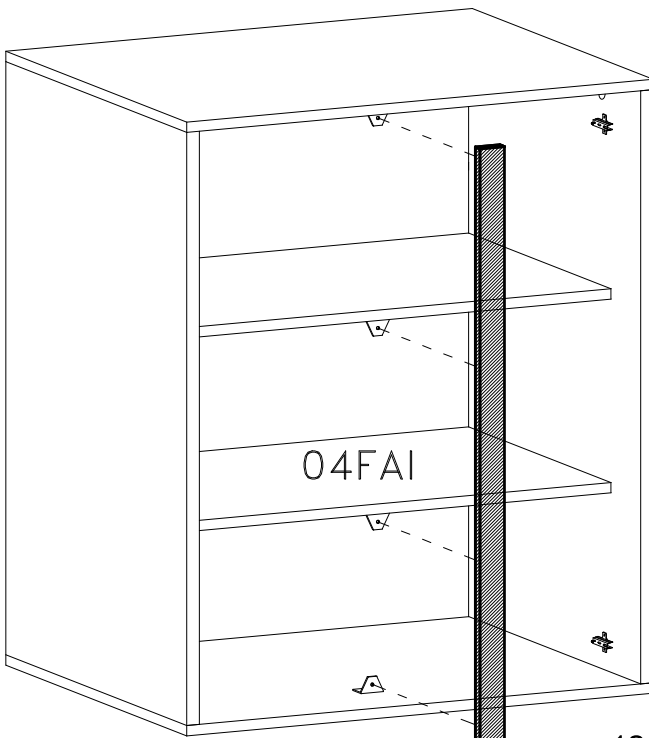
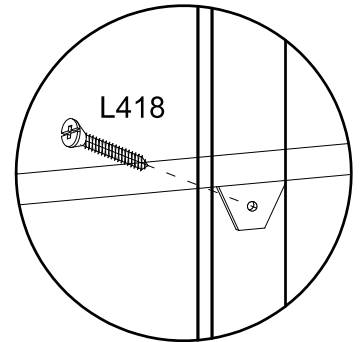
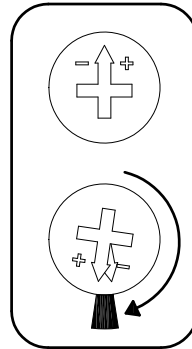
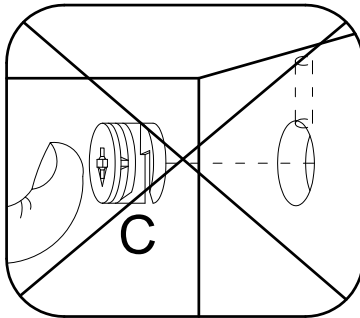
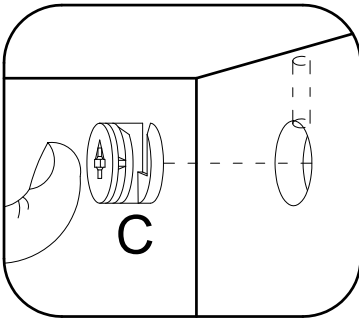
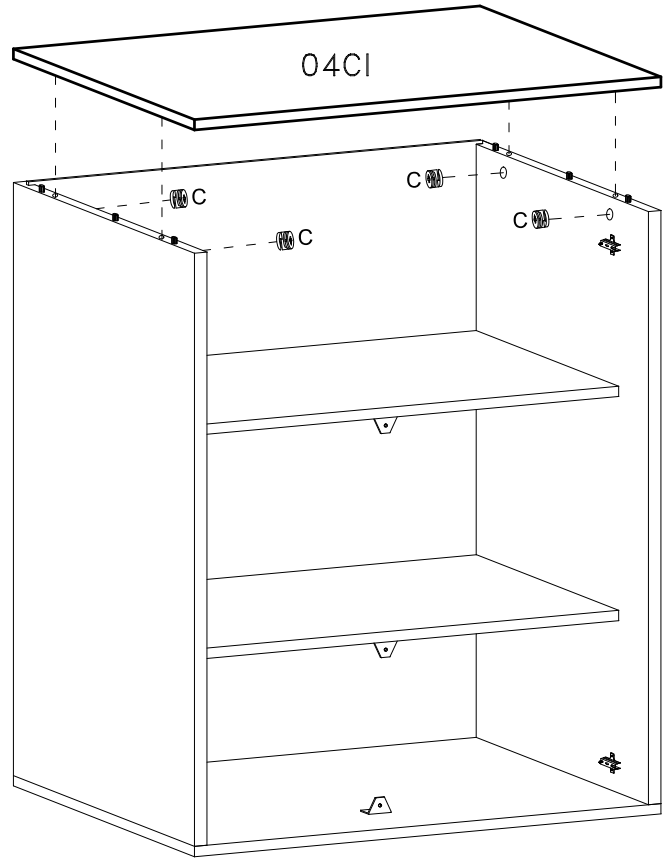
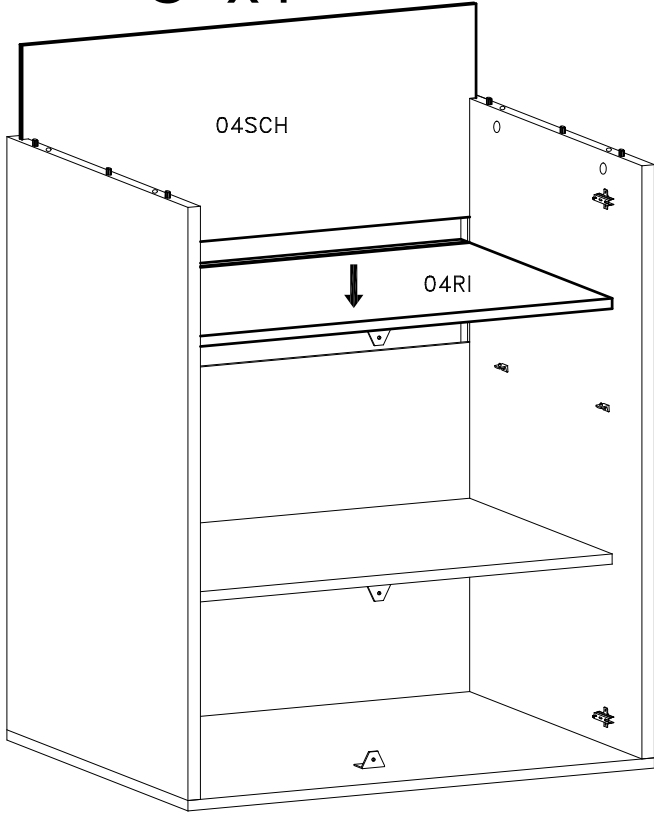
10

∅15 mm

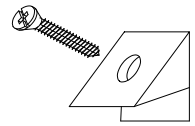
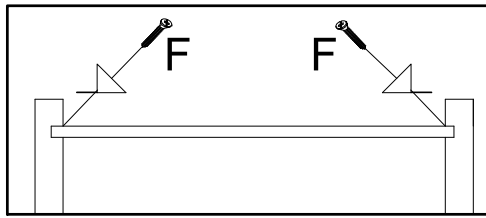


4x18 mm.

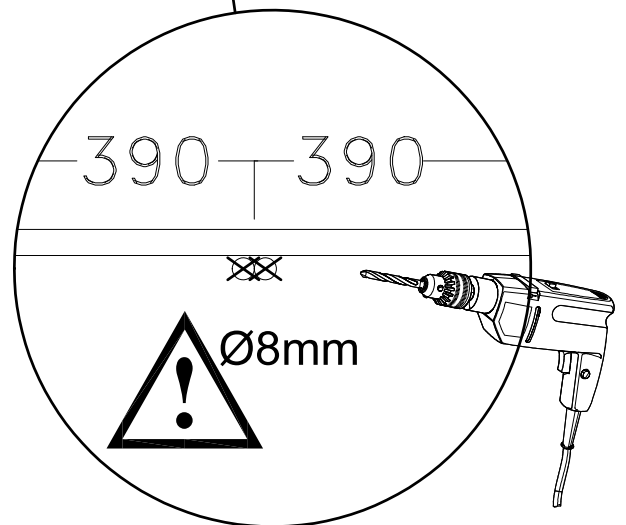
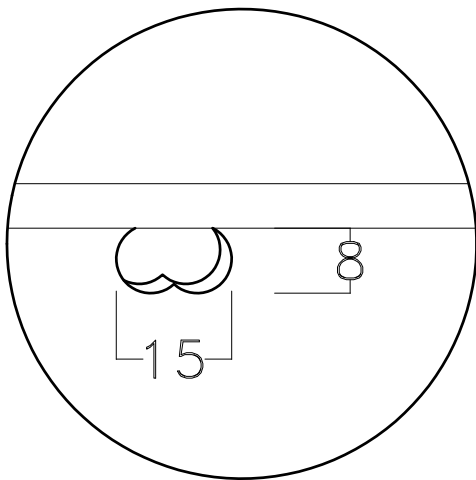
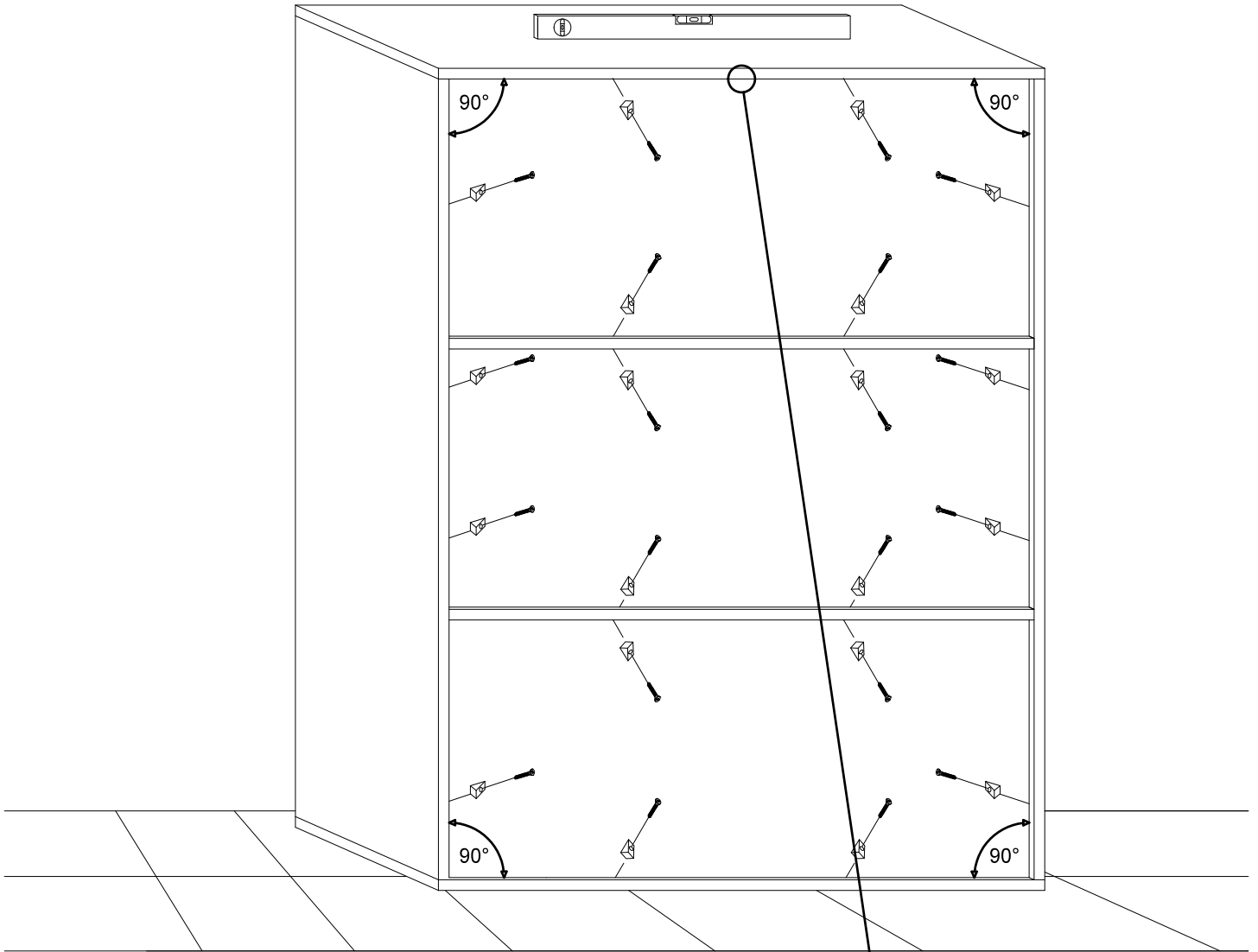
C x4 L418 x4



11

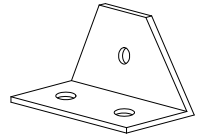


F x24



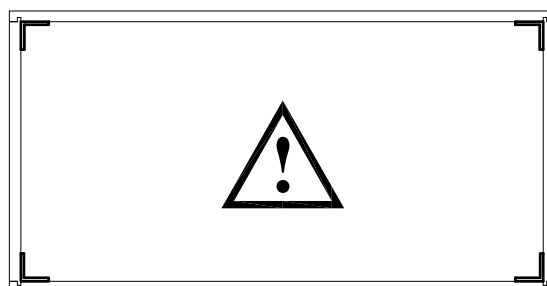
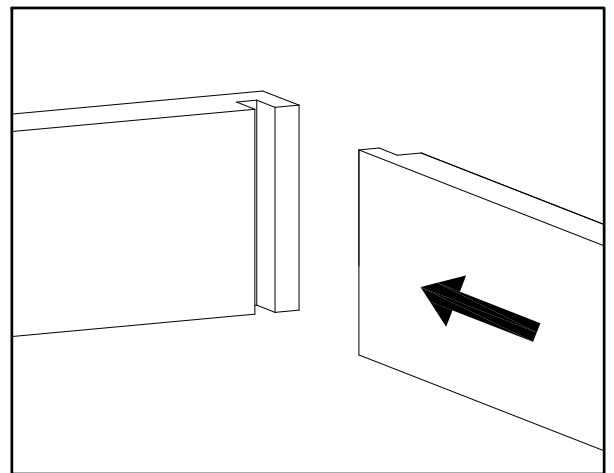
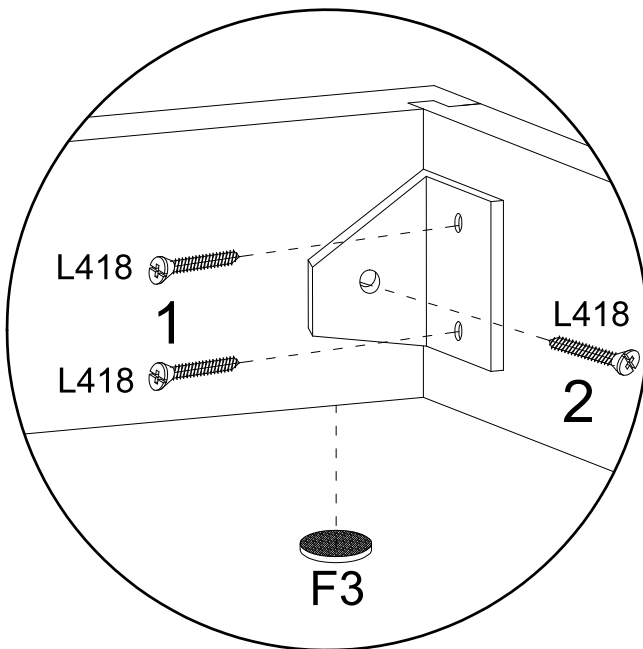
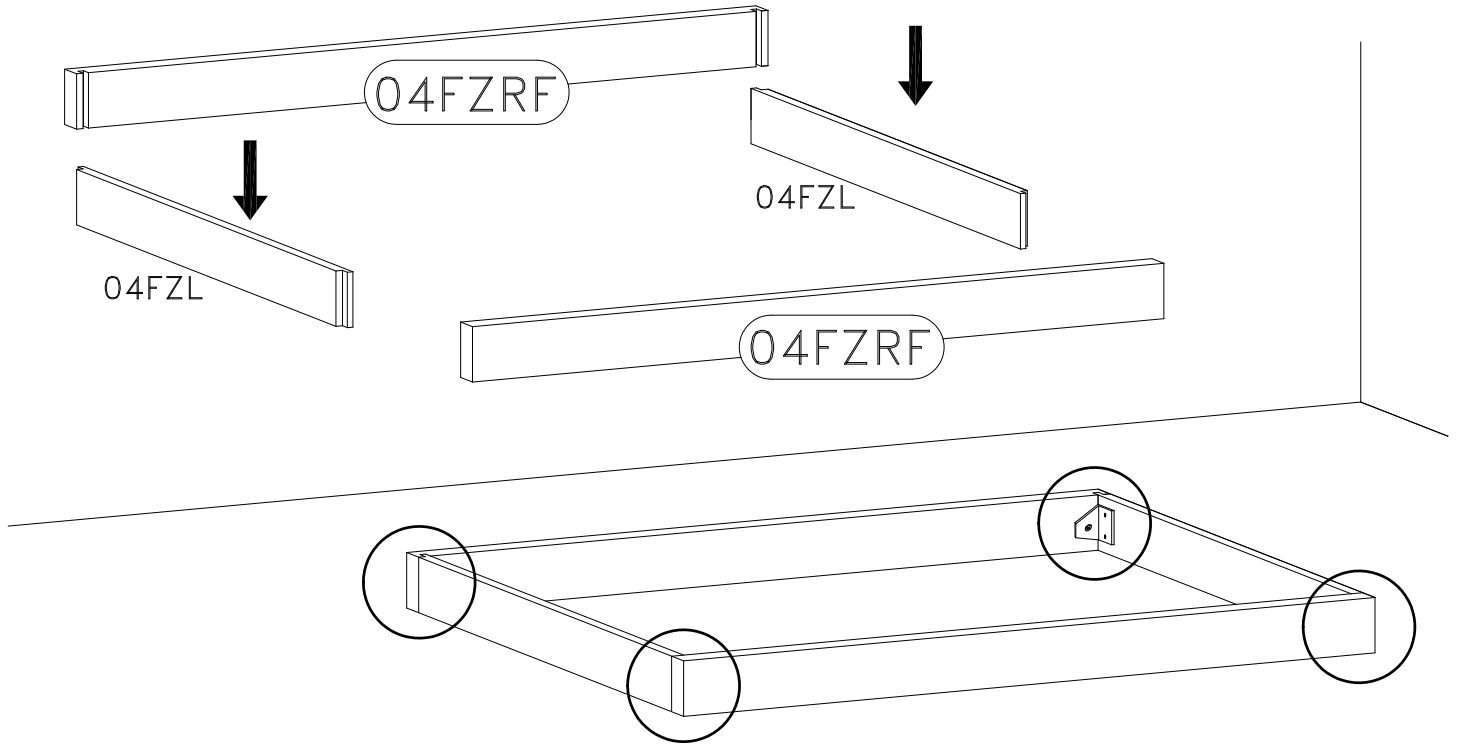
12

4x18 mm.



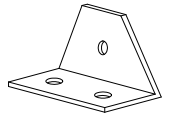
L418 x12

P7 x4



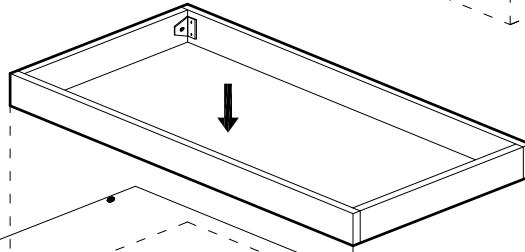
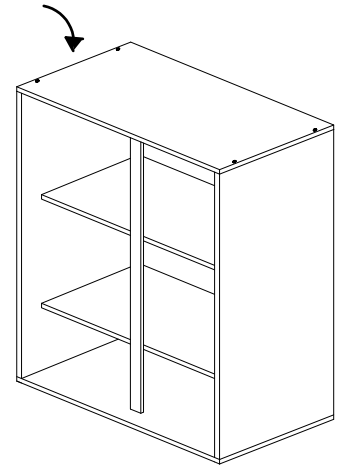
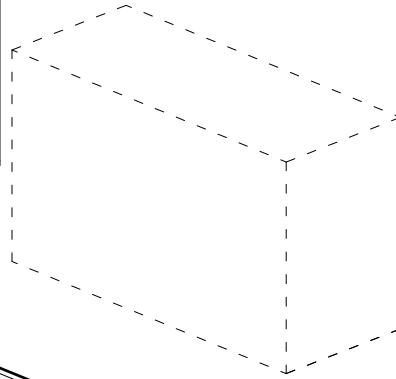
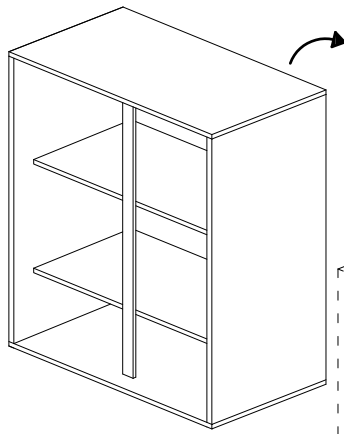
13

4x18 mm.

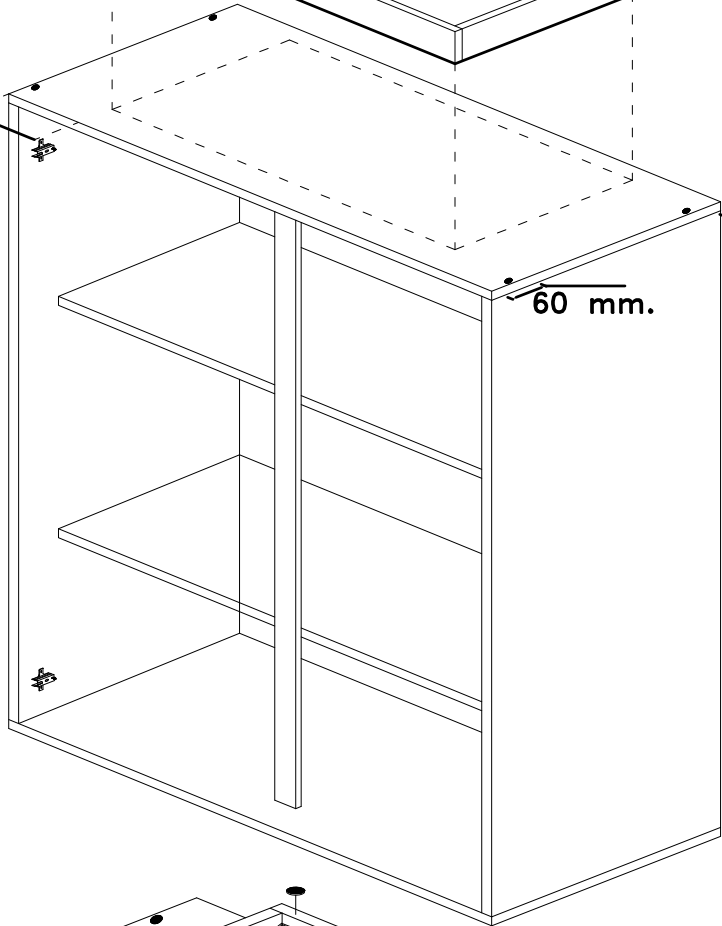


L418 x18

P7 x6

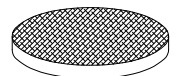


60 mm.

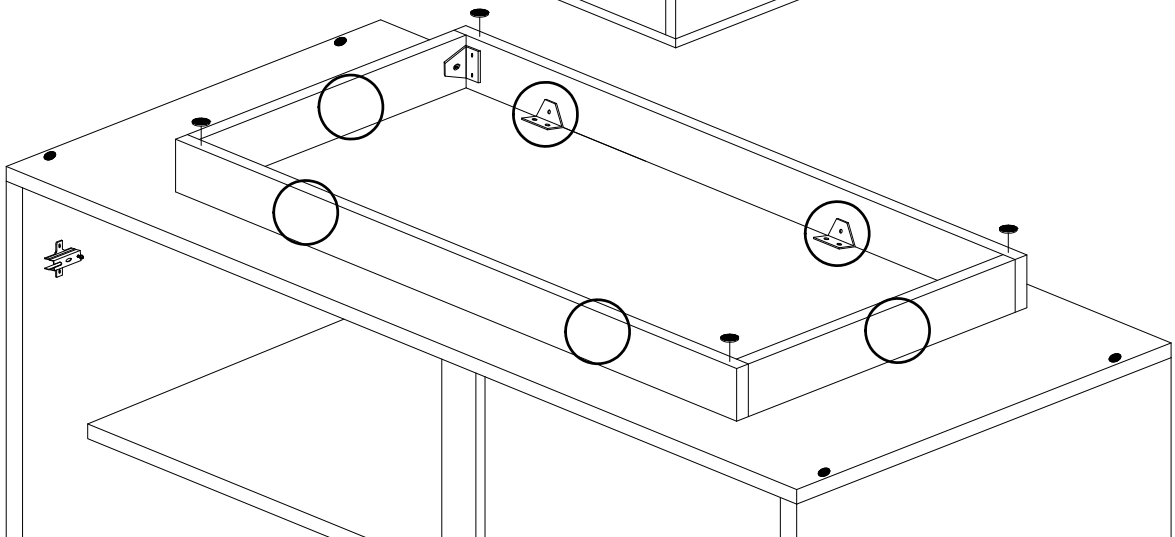


15 mm.

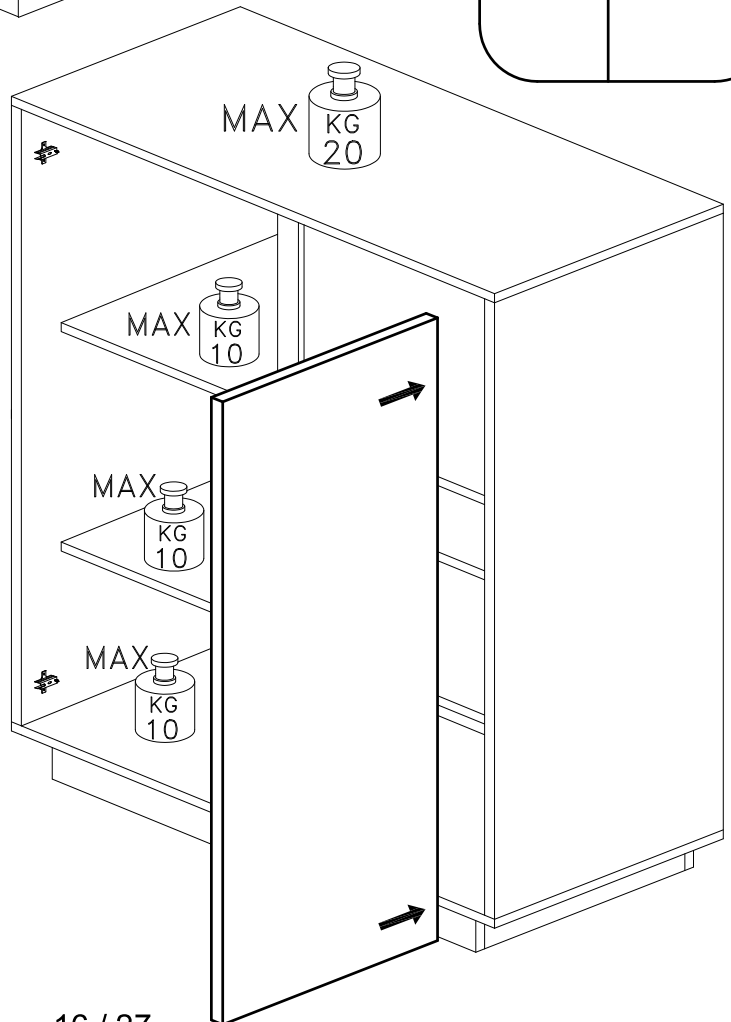
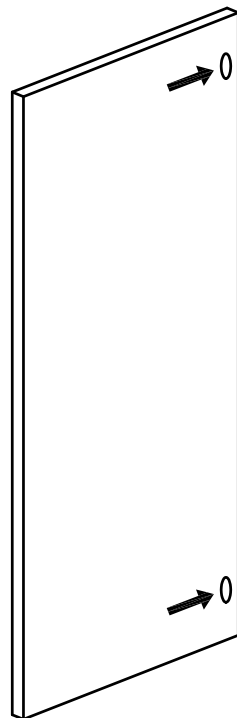
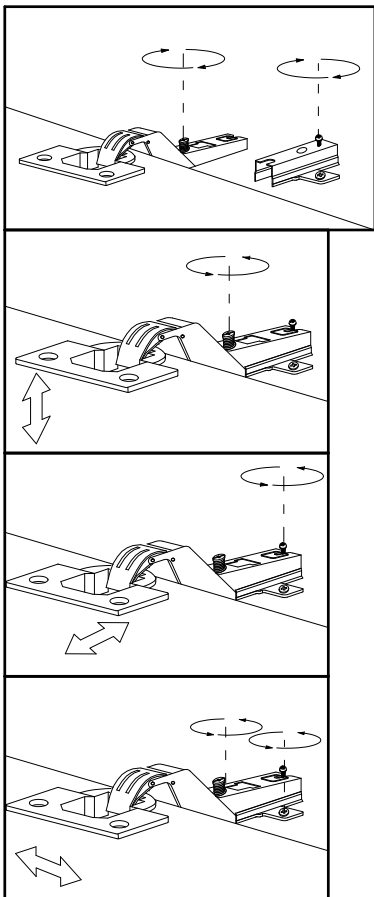
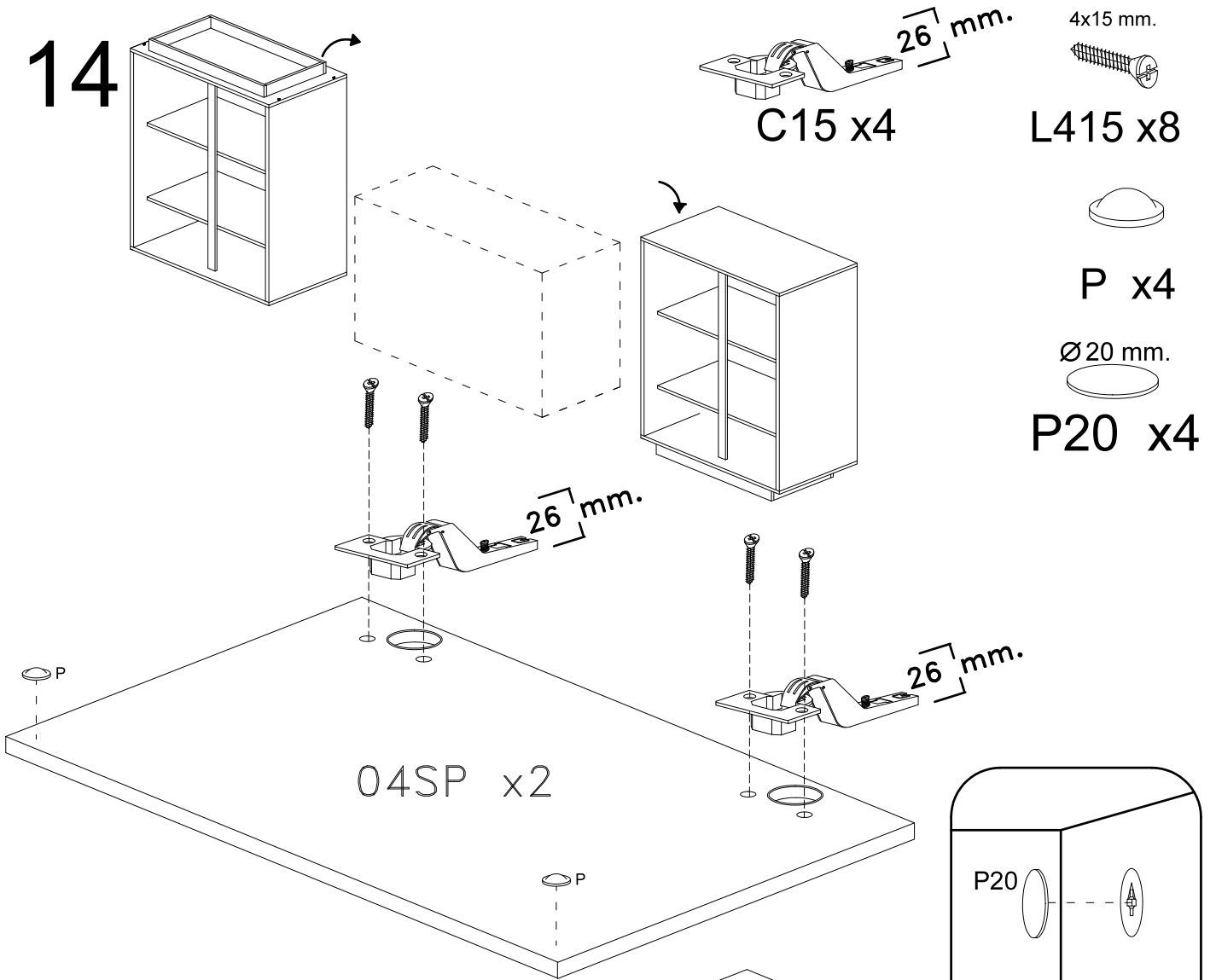
60 mm.



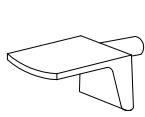
F3 x4



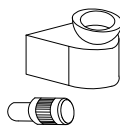
14



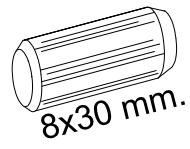
15



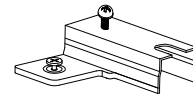
R x4



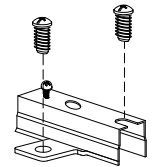
R1 x4



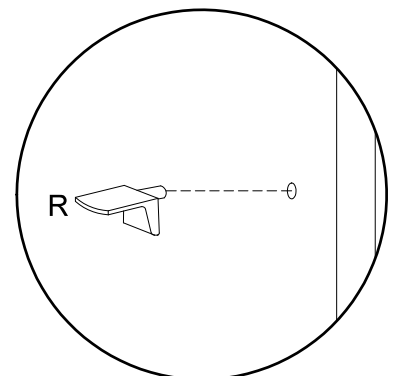
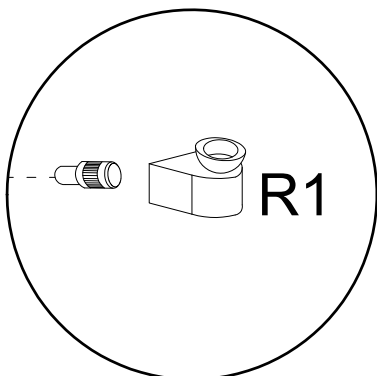
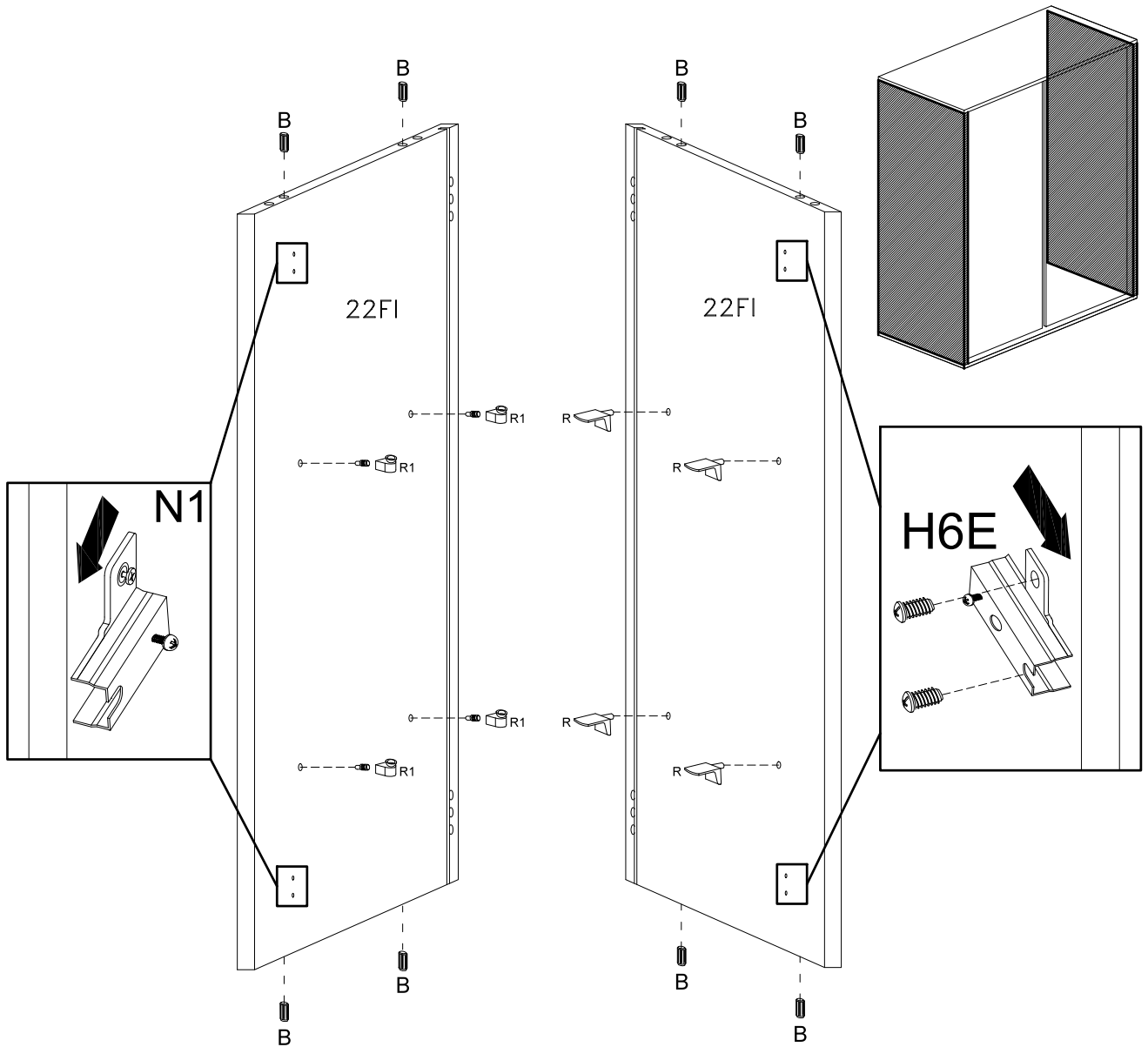
B x8



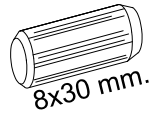
N1 x2



H6E x2



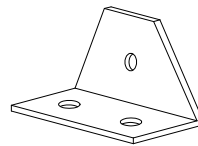
16



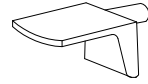
B x4



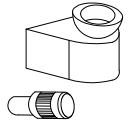
L418 x9



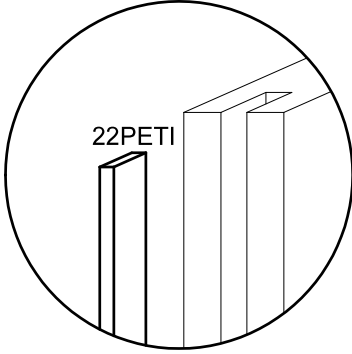
P7 x3



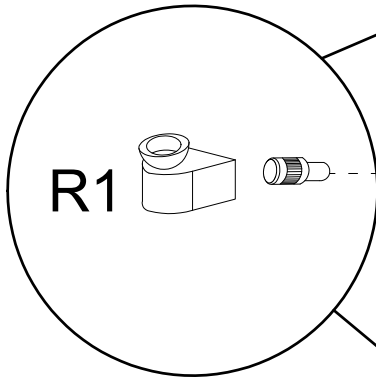
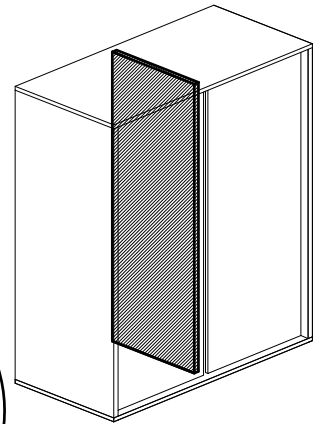
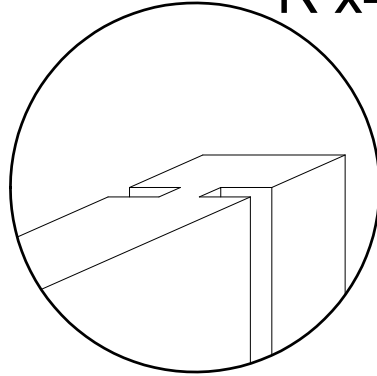
R x4



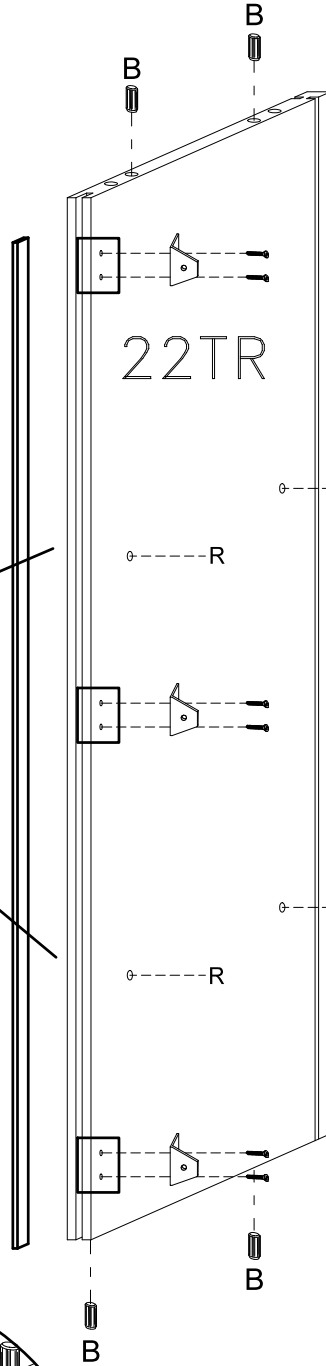
R1 x4



22PETI



R1



22TR

R

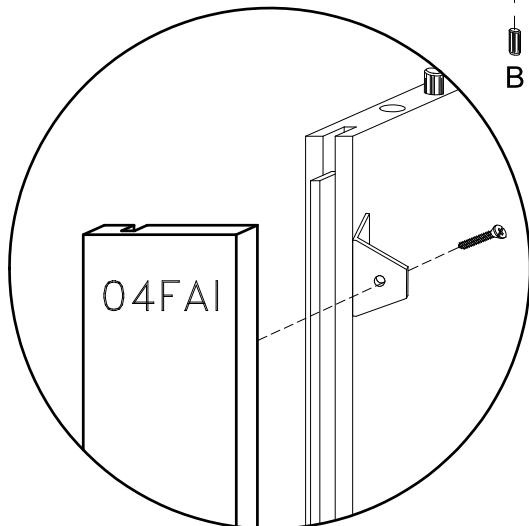
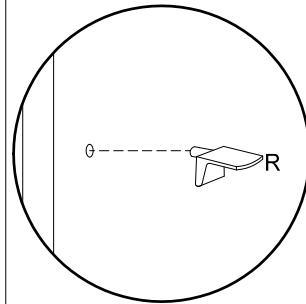
R

R

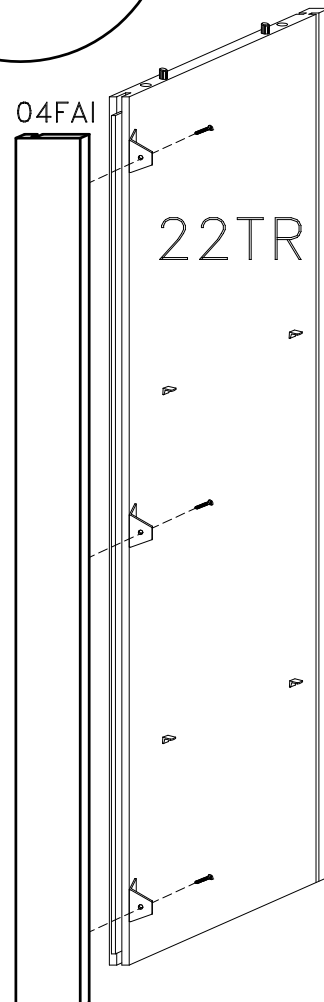
R

B

B



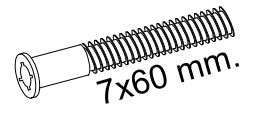
04FAI



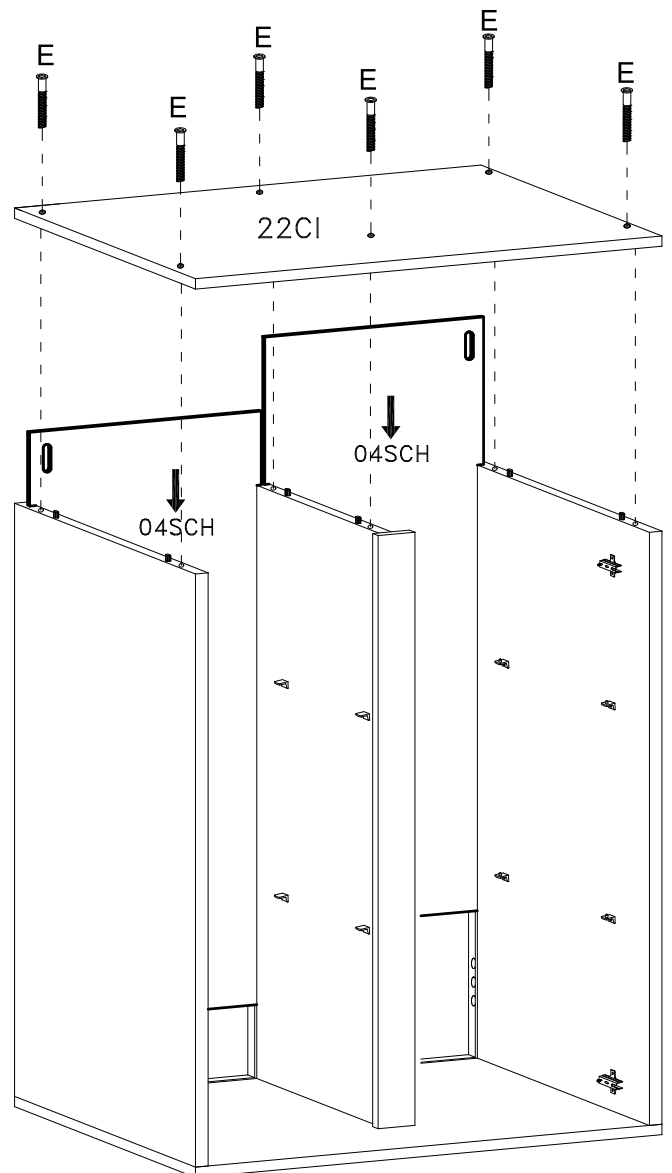
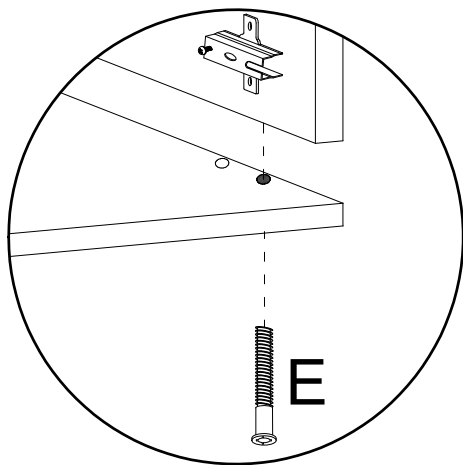
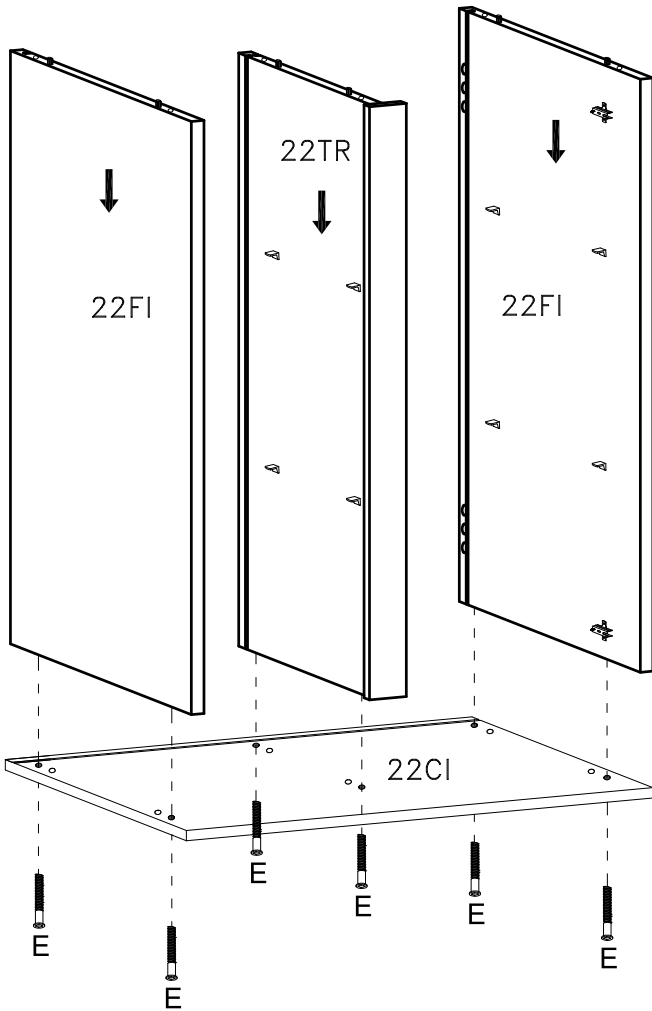
04FAI

22TR

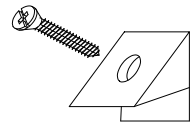
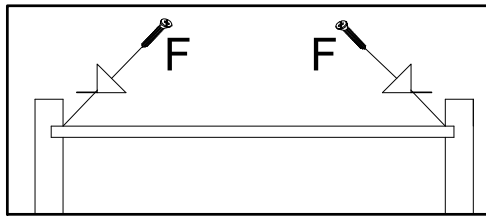
17



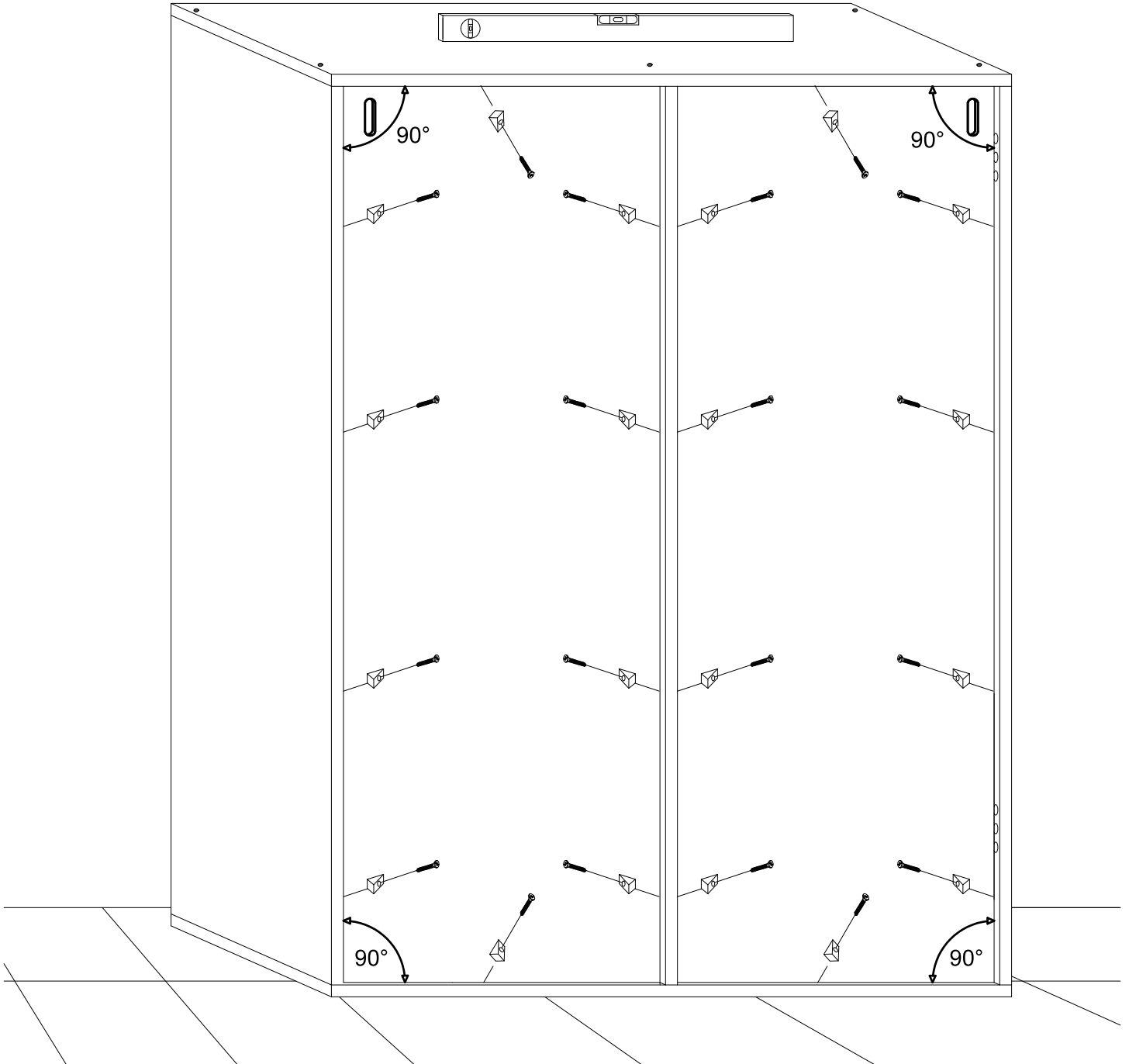
E x12

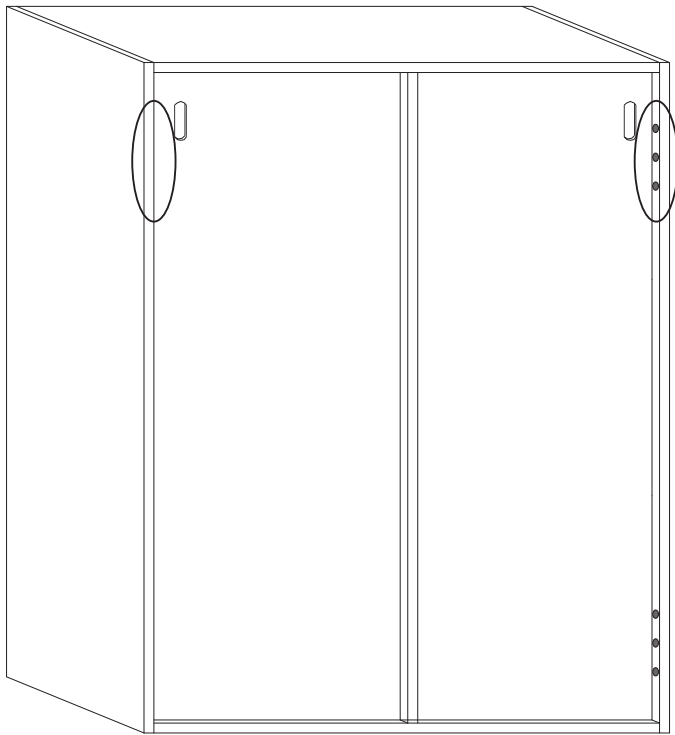


18

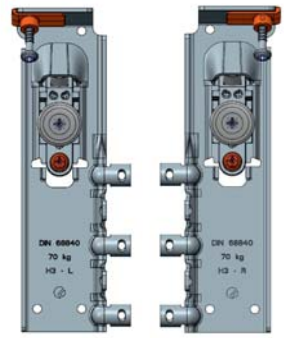


F x20





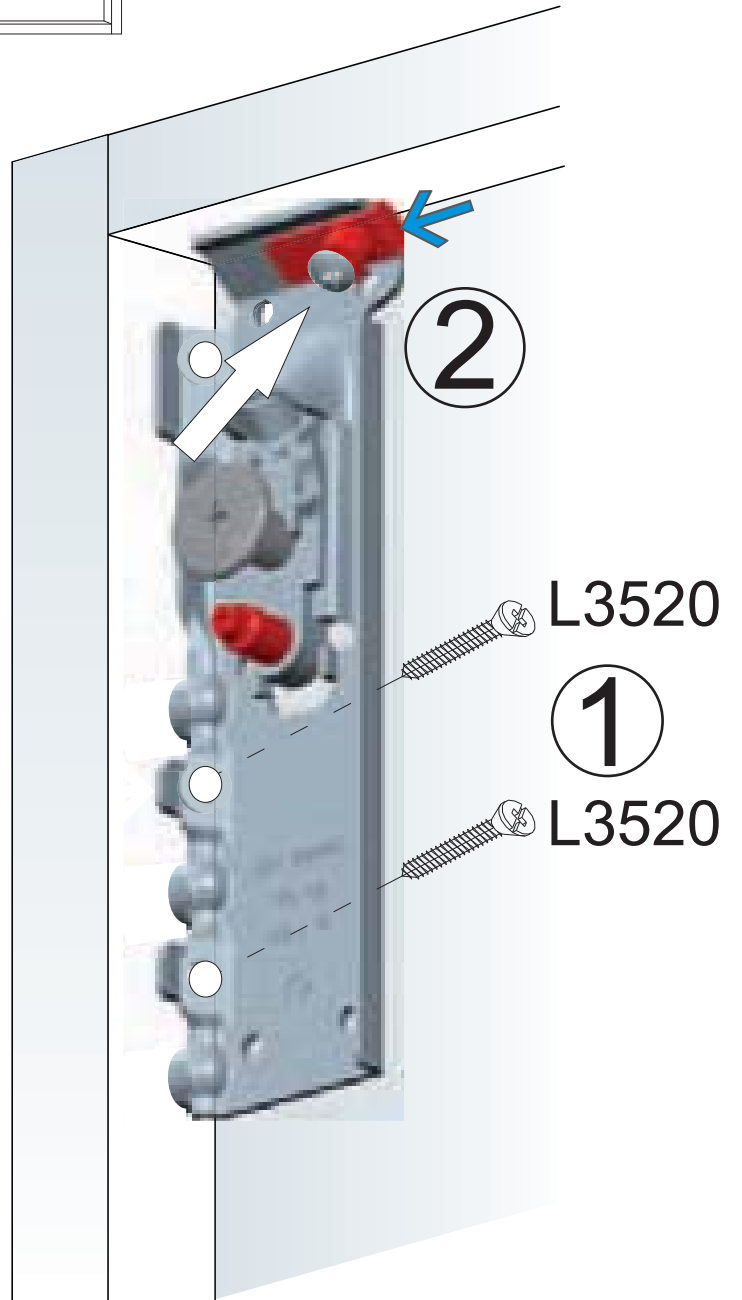
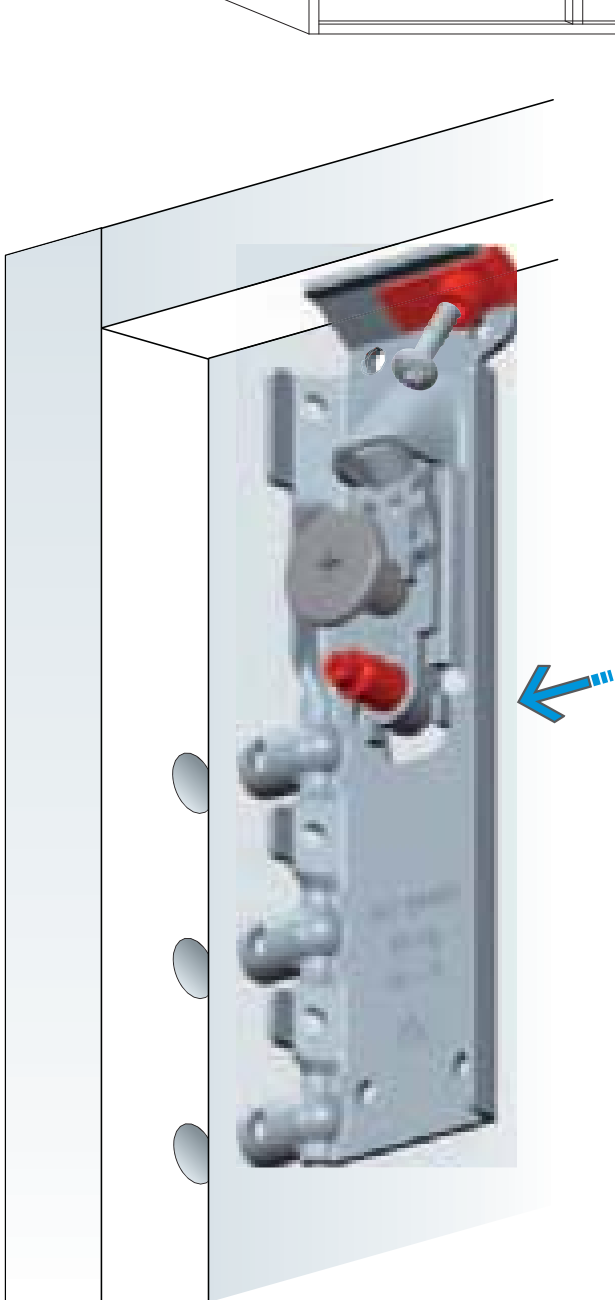
AT



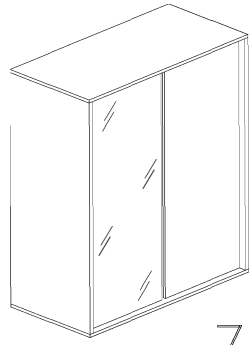
L3520

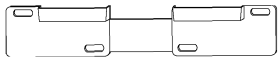


3,5x20 mm. x4



20



ST  x1

748 mm.

712 mm.

68 mm.

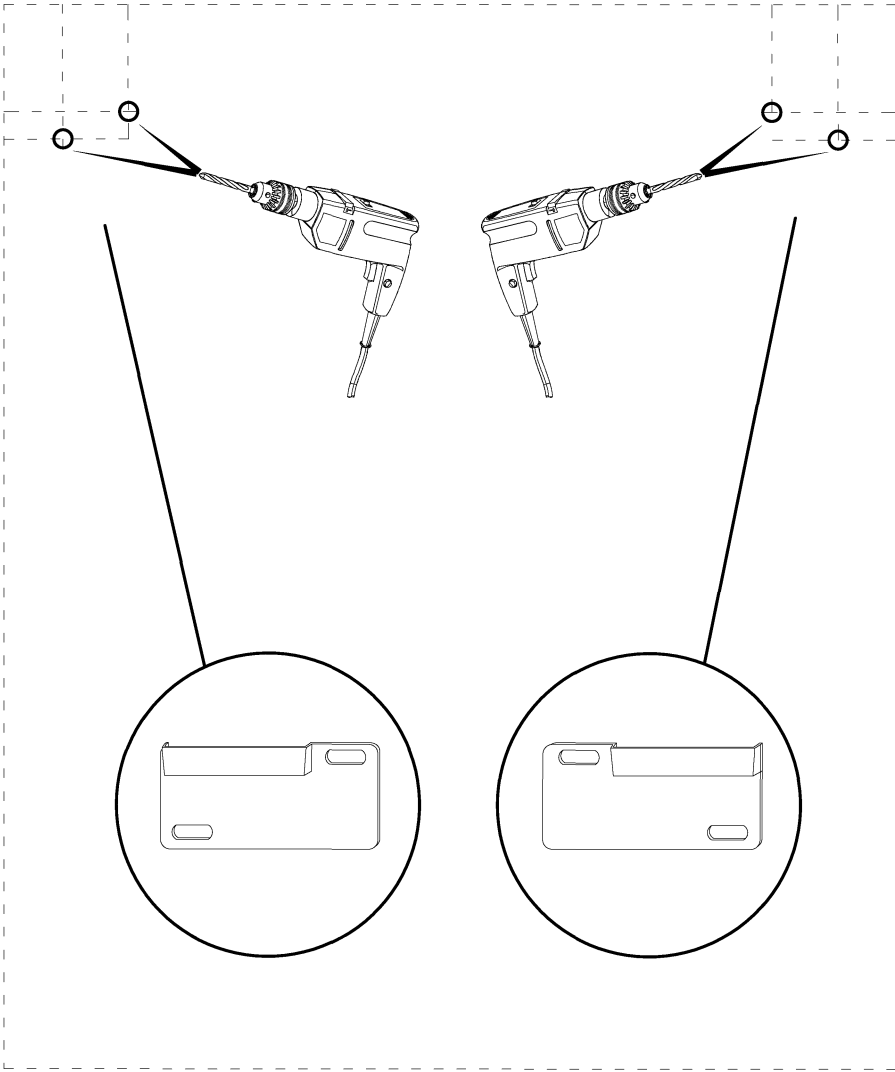
32 mm. 36 mm.

644 mm.

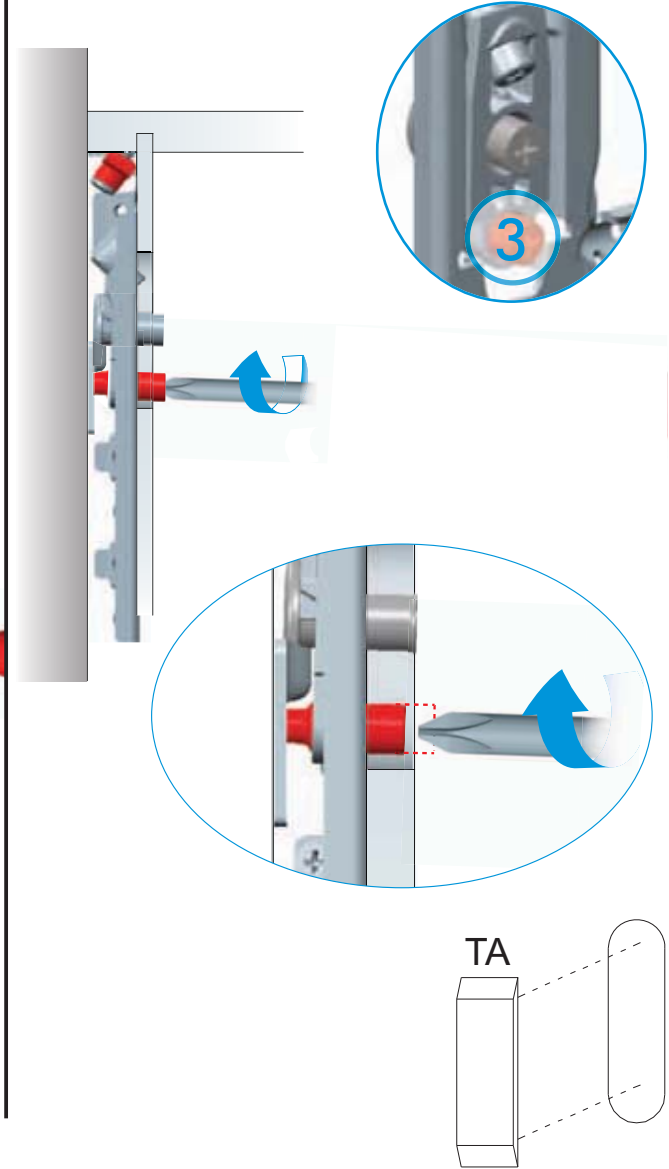
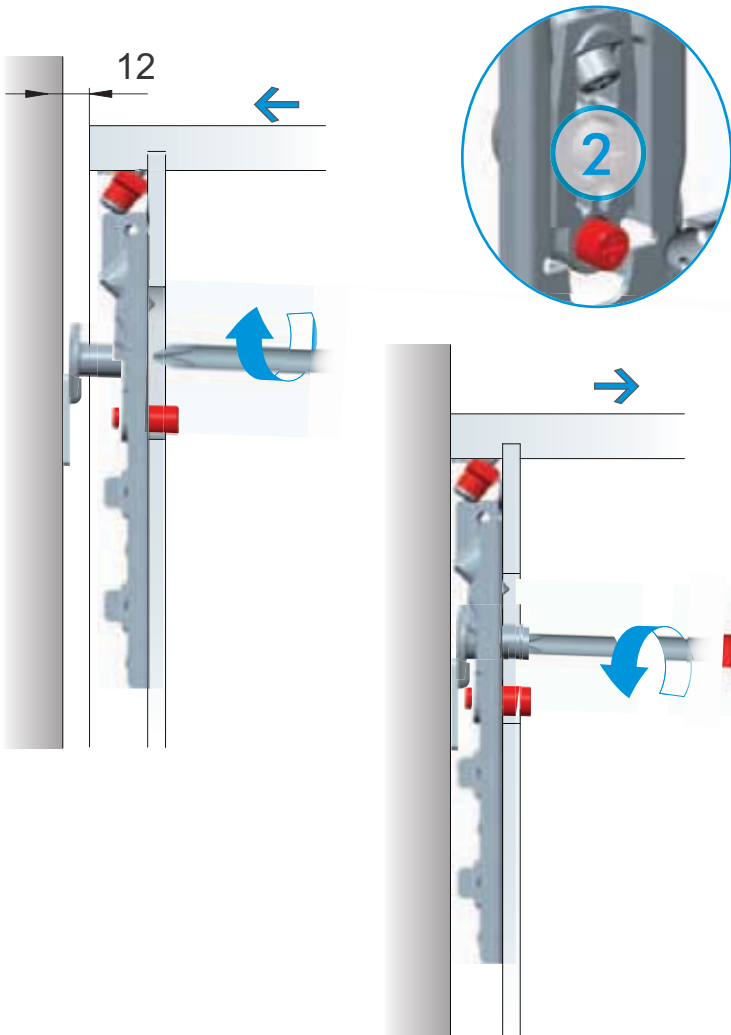
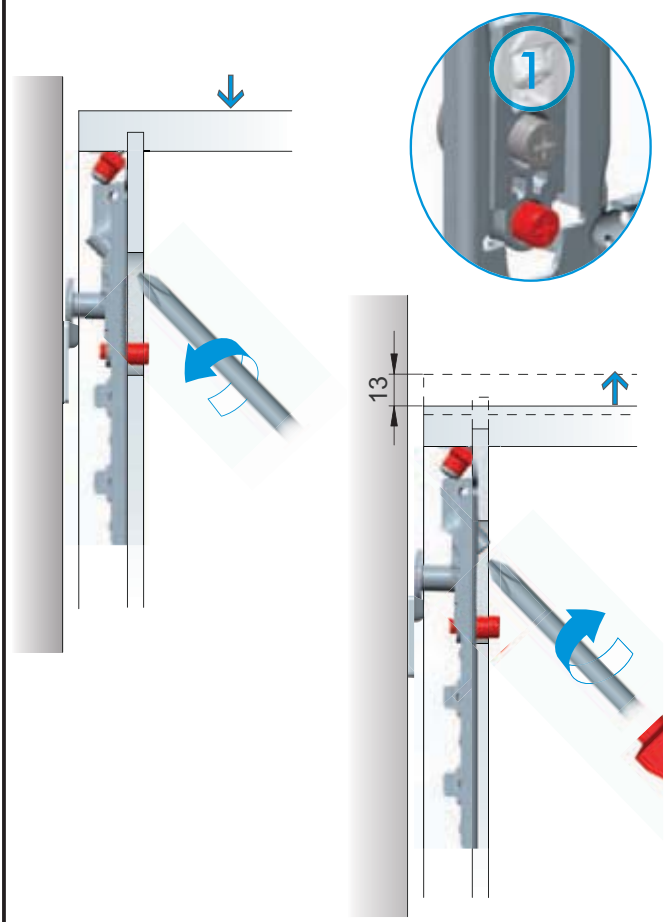
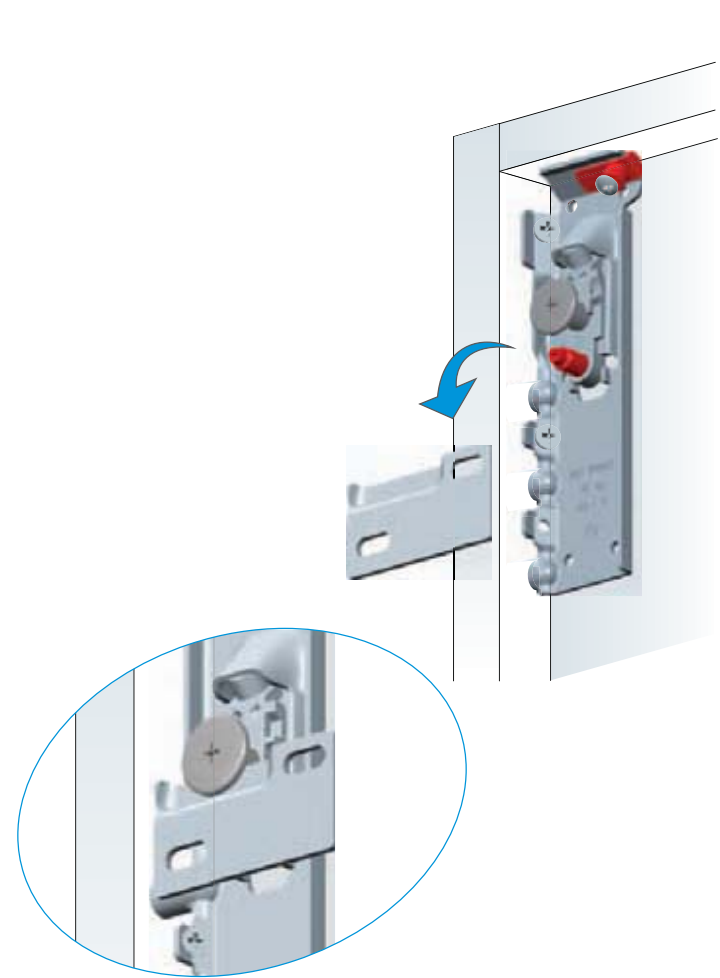
36 mm. 32 mm.

102 mm. 86 mm.

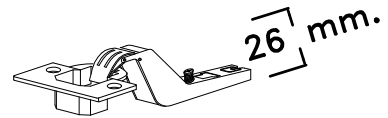
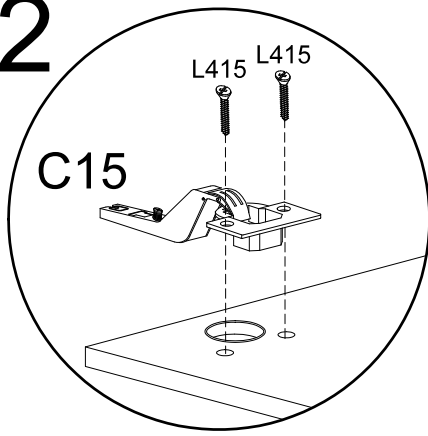
86 mm. 16 mm.



1032 mm.

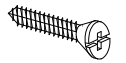


22

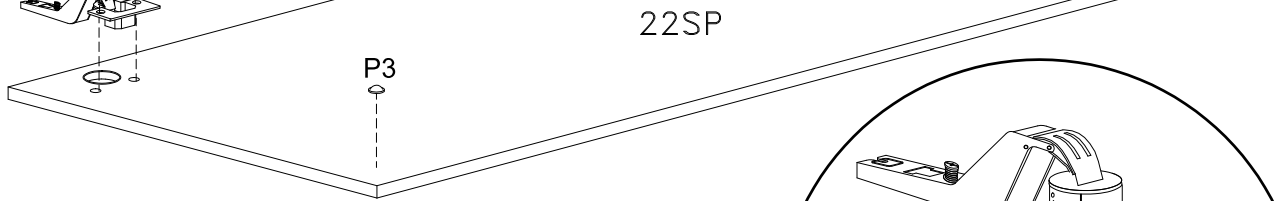
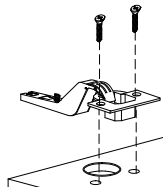


C15 x2

4x15 mm.



L415 x4

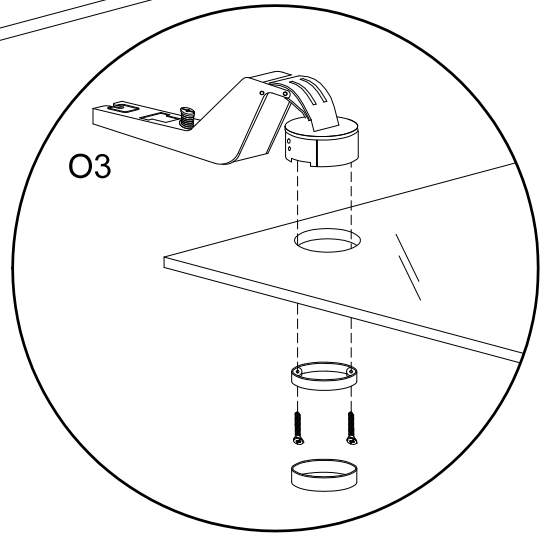


22SP

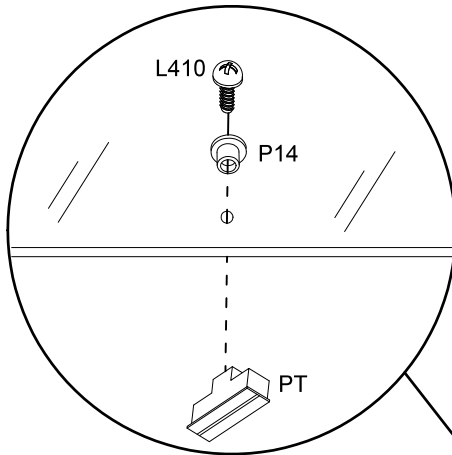
P3

x2

P3



O3

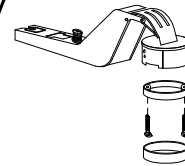


L410

P14

PT

CV



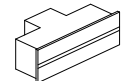
x2

P14



x1

PT



x1

L410



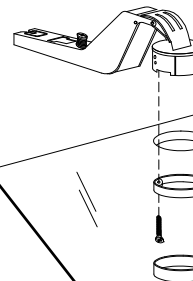
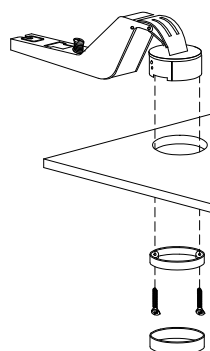
x1

4x10 mm.

P1

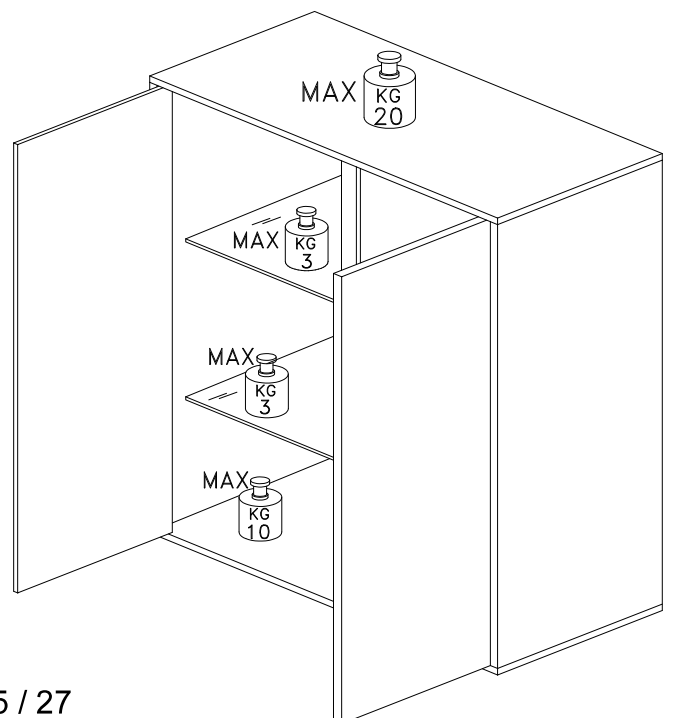
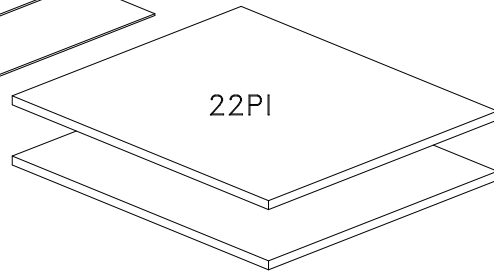
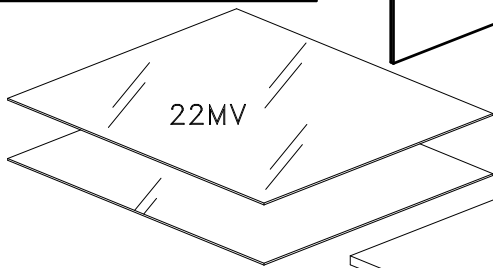
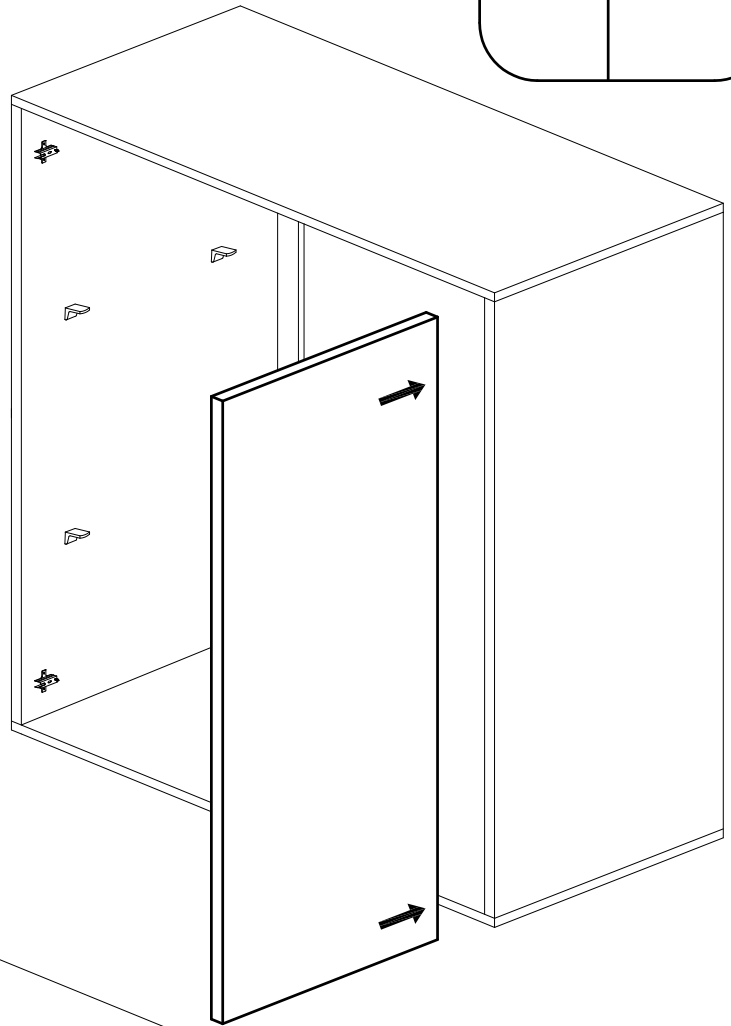
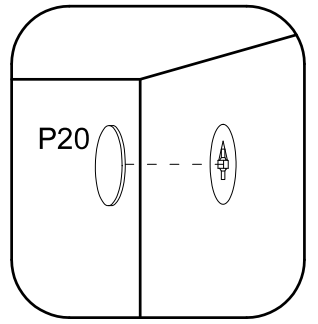
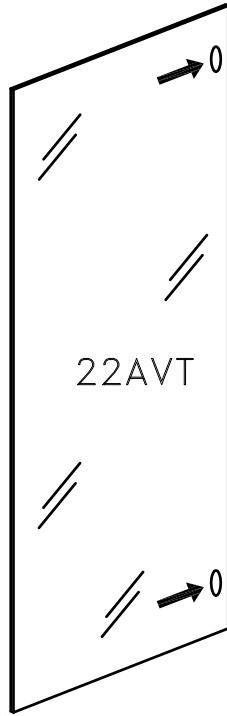
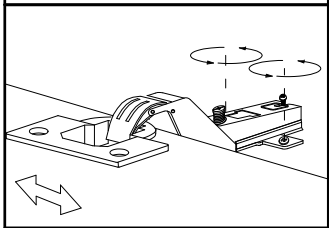
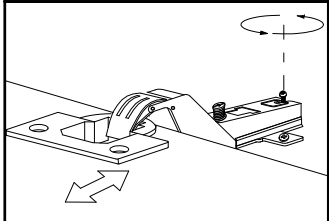
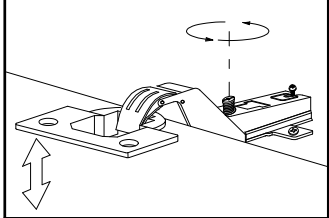
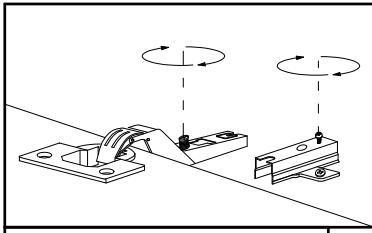


x2



22AVT

23

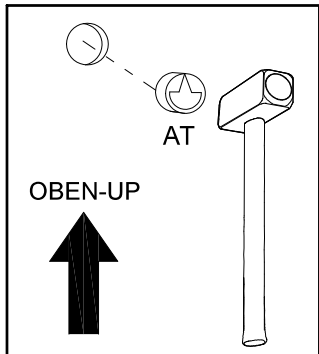
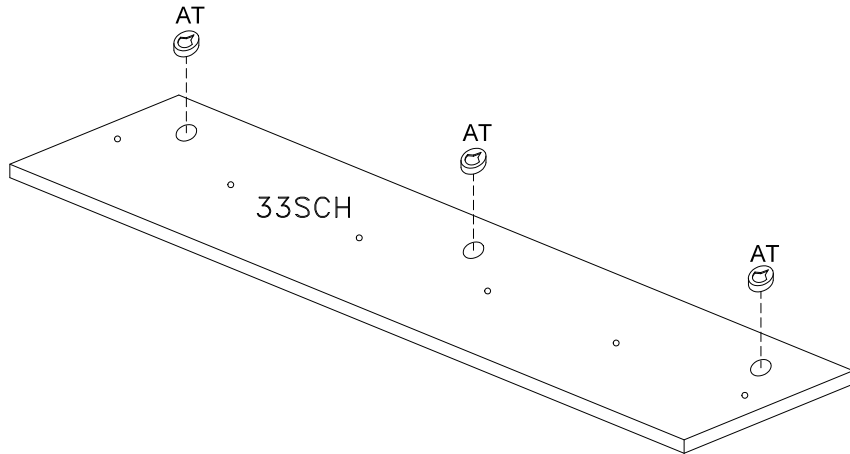


24

AT

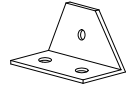


x3



25

P7



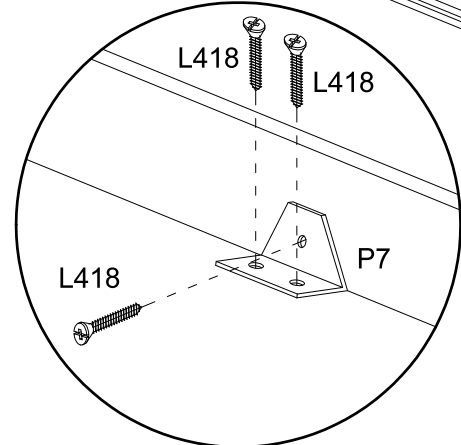
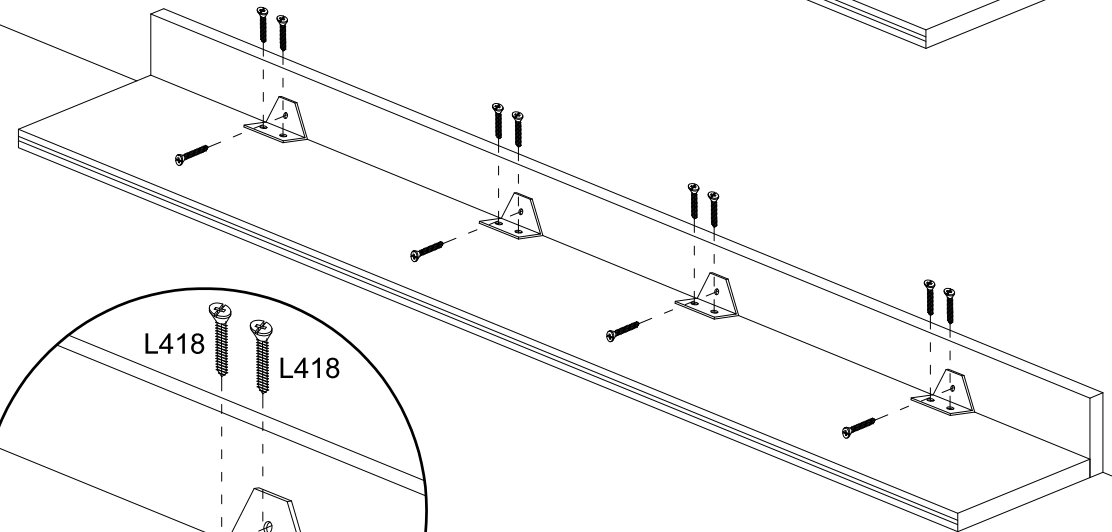
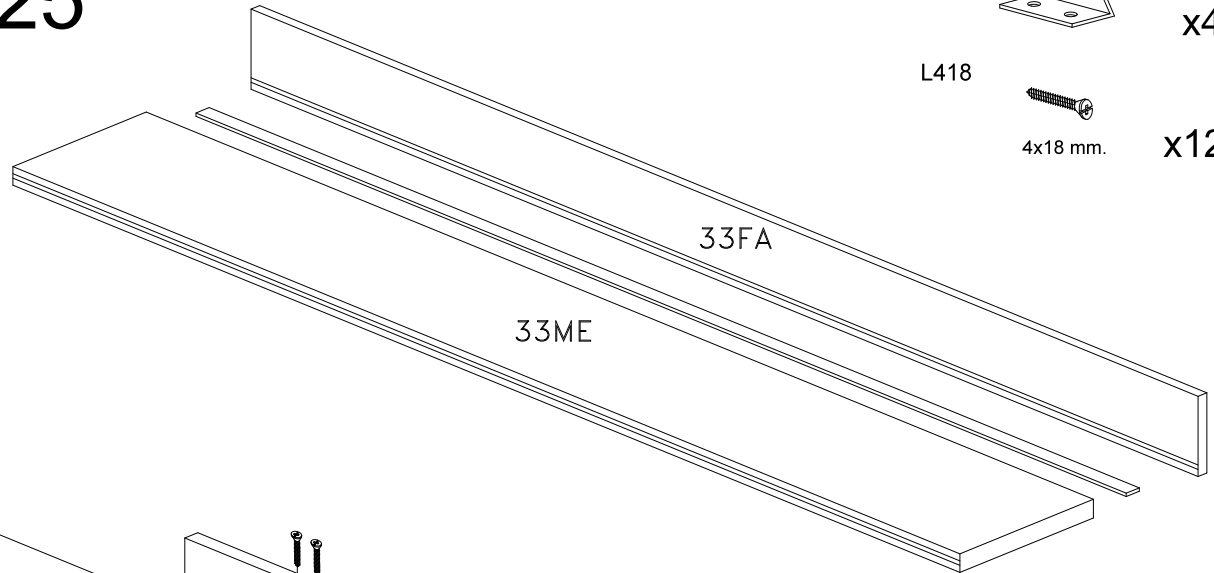
x4

L418



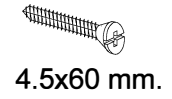
4x18 mm.

x12

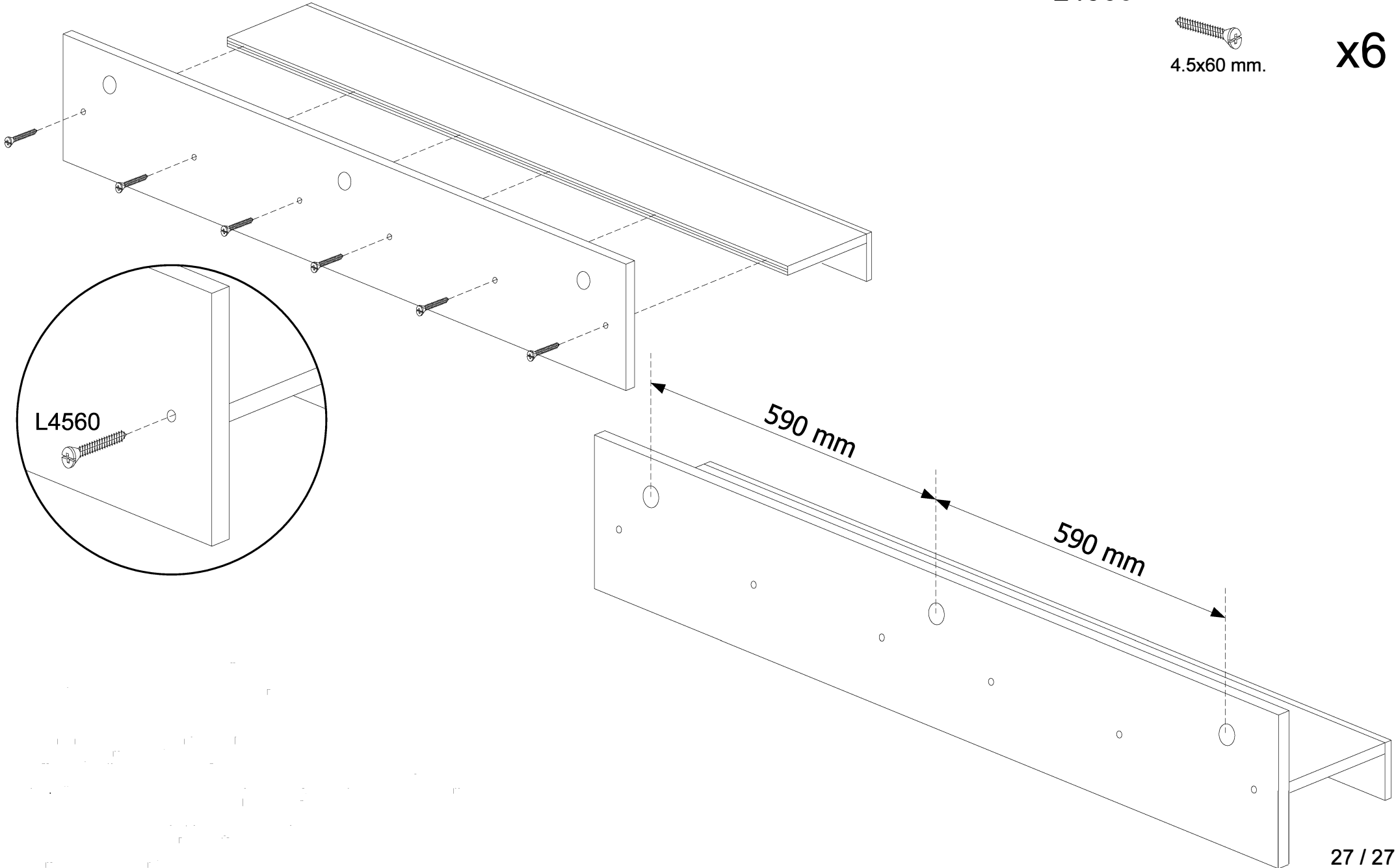


26

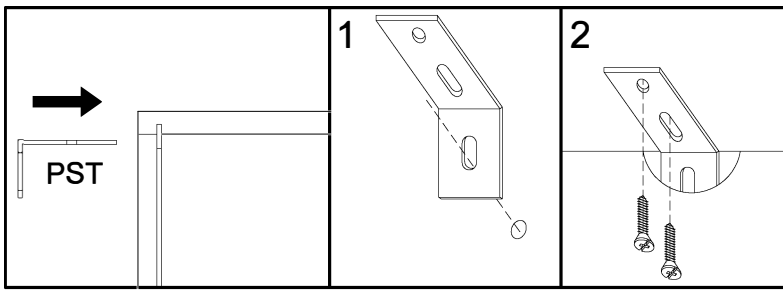
L4560



x6

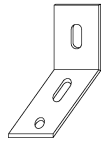


27



4x18 mm.

L418 x4



PST x2

